



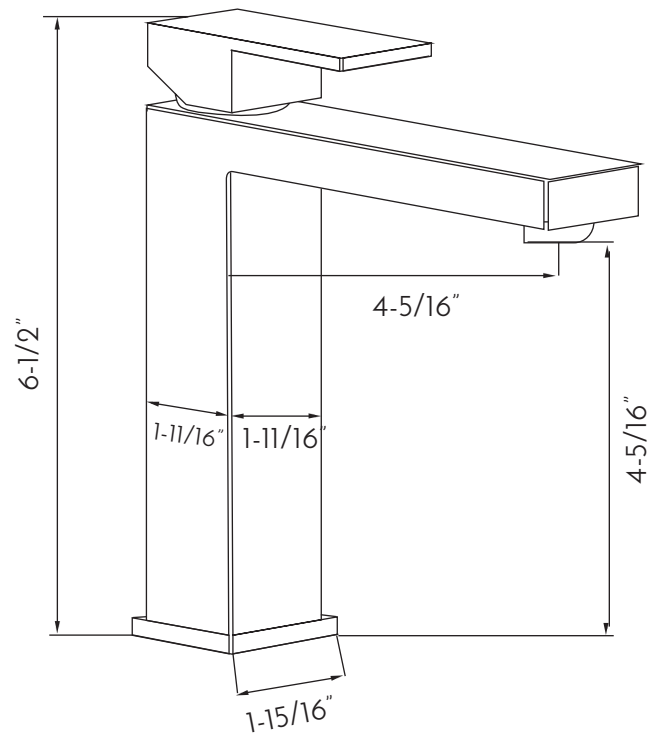
DAX-6951A-CR



BATHROOM FAUCETS **SERIES**



www.daxib.com



FEATURES

- Single lever
- Ceramic cartridge
- Brass body
- Flow rate 2.2 GPM
- Installation hole 1-3/8"
- Hoses and mounting parts included
- Pop up drain not included (available)





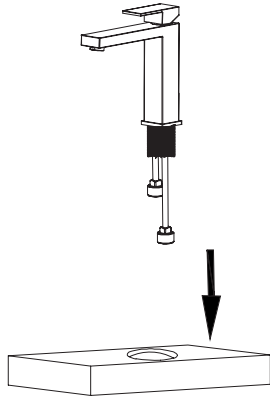
BATHROOM FAUCET **DAX-6951A-CR**

MODEL	DAX-6951A-CR
ADA	None
UPC APPROVED	Yes
ANSI APPROVED	Yes
ASME APPROVED	None
WATERSENSE CERTIFIED	None
NSF APPROVED	Yes
CONNECTION SIZE	9/16"
FAUCET HOLE SIZE	Ø1-1/4"
FAUCETS HOLE	Single hole
FAUCET TYPE	Lavatory faucet
FLOW RATE (GPM)	2.2Gpm at 60 psi
HANDLE STYLE	Single handle
NUMBER OF HANDLES	1
HEIGHT	6-1/2"
HOSE LENGTH	19-11/16"
INSTALLATION TYPE	Deck mounted
MATERIAL	Brass
FINISH	Chrome
SIDESPRAW	Without spray
SPOUT HEIGHT	4-5/16"
CARTRIDGE TYPE	Ceramic
POP-IP INCLUDED	No
MAX DECK THICKNESS	23-5/8" Bottom sleeve

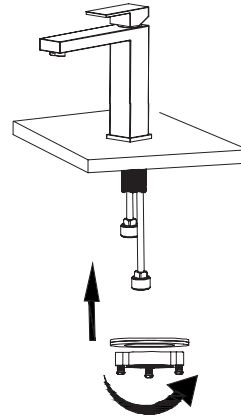




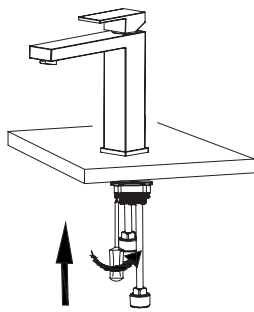
01



02



03



04

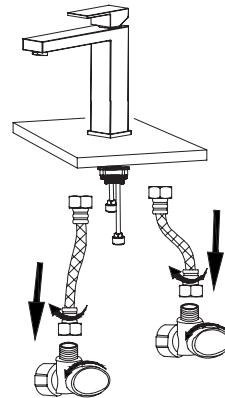
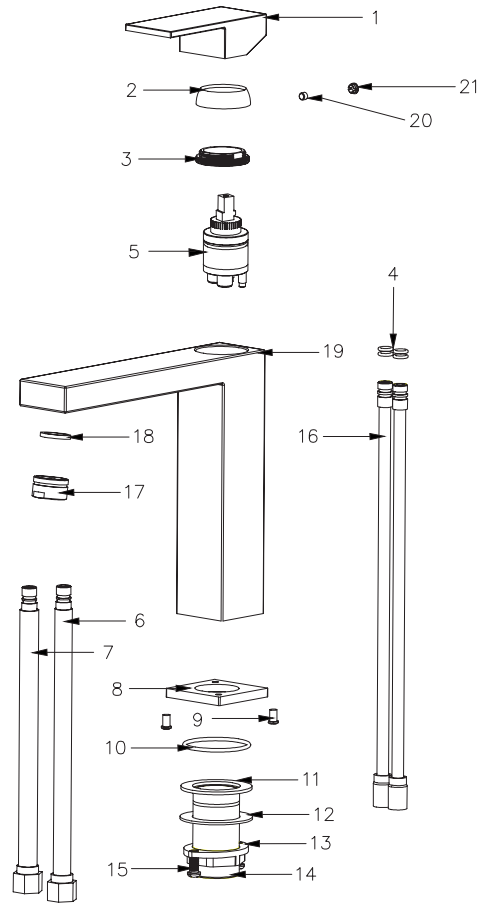




DIAGRAM NUMBER	DAX SKU	TITLE DESCRIPTION
1		Handle
2		Cap W/Adjusting
3		Bonnet
4		O-Ring
5		Ceramic cartridge
6		Hose
7		Hose
8		Ring
9		Set screw
10		O-Ring
11		Gasket
12		Film
13		Nut
14		Coop
15		Set screw
16		Coop
17		Aerator and heart
18		Gasket
19		Body
20		Set screw
21		Button



For parts or sale requirements please contact our customer service department:

 CS@daxib.com

 1 888 685 8236

