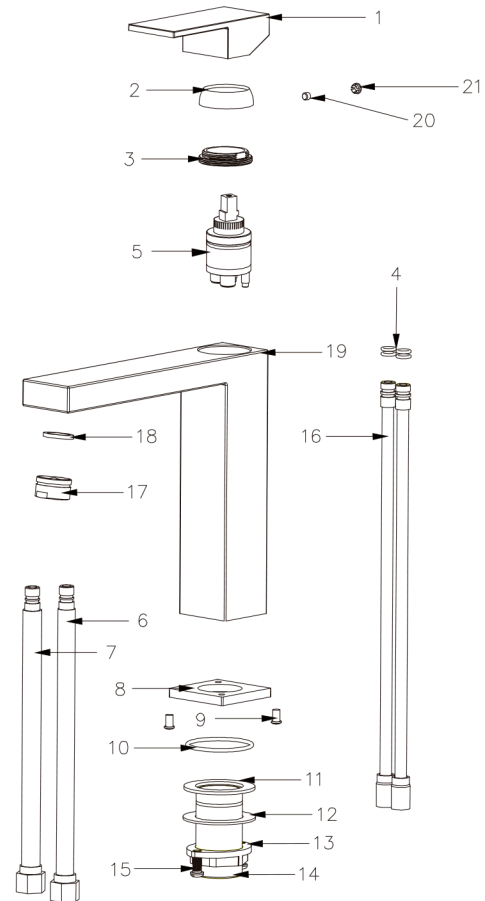




DIAGRAM NUMBER	DAX SKU	TITLE DESCRIPTION
1	20241-CR	Handle
2	20242-CR	Cap W/Adjusting
3	20243	Bonnet
4	20244	O-Ring
5	20245	Ceramic cartridge
6	20246	Hose
7	20247	Hose
8	20248-CR	Ring
9	20249	Set screw
10	20250	O-Ring
11	20251	Gasket
12	20252	Film
13	20253	Nut
14	20254	Coop
15	20255	Set screw
16	20256	Coop
17	20257	Aerator and heart
18	20258	Gasket
19	20259-CR	Body
20	20260	Set screw
21	20261	Button



For parts or sale requirements please contact our customer service department:

 CS@daxib.com

 1 888 685 8236

