

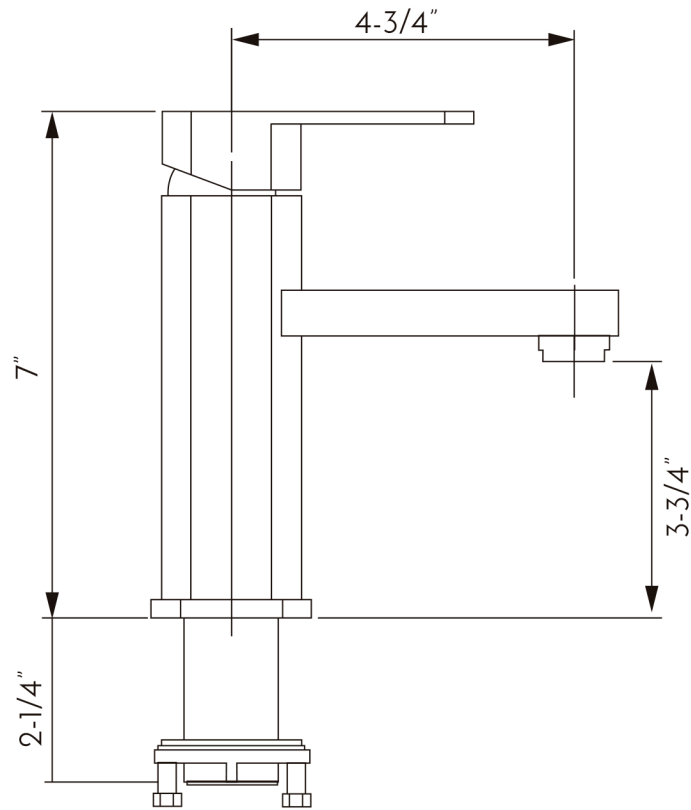


DAX-6941A-CR



BATHROOM FAUCETS **SERIES**





FEATURES

- Single lever
- Ceramic cartridge
- Brass Body
- Flow rate 2.2 GPM
- Installation hole 1-3/8"
- Hoses and mounting parts included
- Pop up drain not included (available)
- Chrome finish





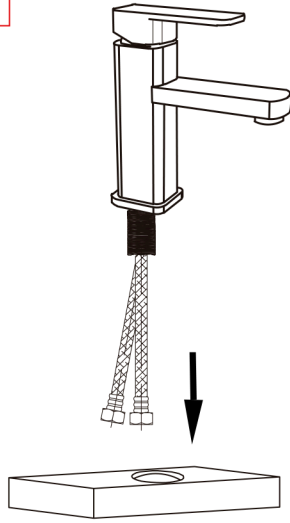
BATHROOM FAUCET **DAX-6941A-CR**

MODEL	DAX-6941A-CR
ADA	NO
UPC APPROVED	4974
ANSI APPROVED	N-6375
ASME APPROVED	NO
WATERSENSE CERTIFIED	NO
NSF APPROVED	N-6375
CONNECTION SIZE	9/16
FAUCET HOLE SIZE	Ø1-1/4"
FAUCETS HOLE	Single hole
FAUCET TYPE	Lavatory Faucet
FLOW RATE (GPM)	2.2 GPM
HANDLE STYLE	Single Handle
NUMBER OF HANDLES	1
HEIGHT	7"
HOSE LENGTH	19-11/16"
INSTALLATION TYPE	Deck Mounted
MATERIAL	Brass
FINISH	Chrome finish
SIDESPRAY	Without Spray
SPOUT HEIGHT	3-3/4"
CARTRIDGE TYPE	1-3/8" Ceramic cartridge
POP-IP INCLUDED	NO
MAX DECK THICKNESS	2-3/8" Bottom Sleeve

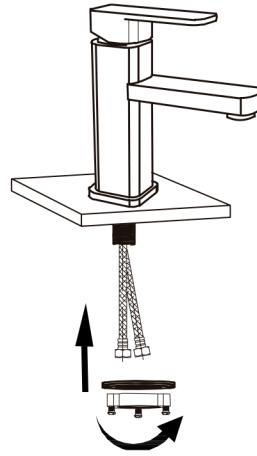




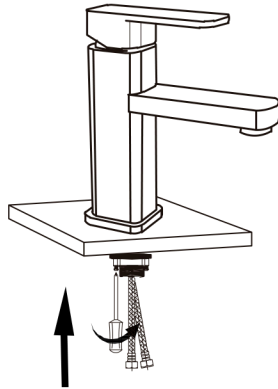
01



02



03



04

