



DAX-6911-CR



BATHROOM FAUCETS **SERIES**

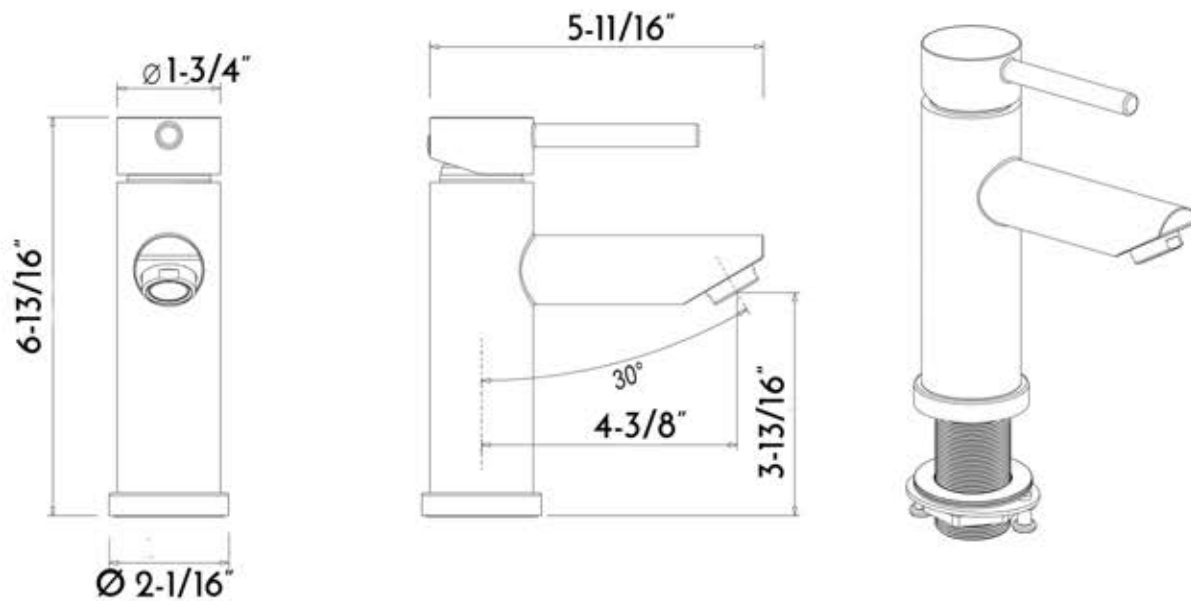


www.daxib.com



FEATURES

- Single handle
- Chrome finish
- Flow Rate: 2.2 GPM at 60 PSI
- Ceramic Cartridge
- Water lines and mounting parts included





BATHROOM FAUCET **DAX-6911-CR**

MODEL	DAX-6911-CR
MATERIAL	Brass
FINISH	Chrome
HEIGHT	7"
SPOUT HEIGHT	3-7/8"
SPOUT REACH	4-3/8"
FLOW RATE	2.2 GPM
HOT COLD INDICATORS	No
DECK PLATE INCLUDED	No
COMPATIBLE VALVE TYPE	Ceramic Cartridge
HANDLE STYLE	Single Handle
NUMBER OF HANDLES	One
HOSE LENGHT	19-11/16"
FAUCET HOLES	One
FAUCET HOLE SIZE	1-1/4"
INSTALATION TYPE	Deck mounted
SPOUT SWIVEL	No
MAX DECK THICKNESS	3-1/8"

For parts or sale requirements
please contact our customer service department:



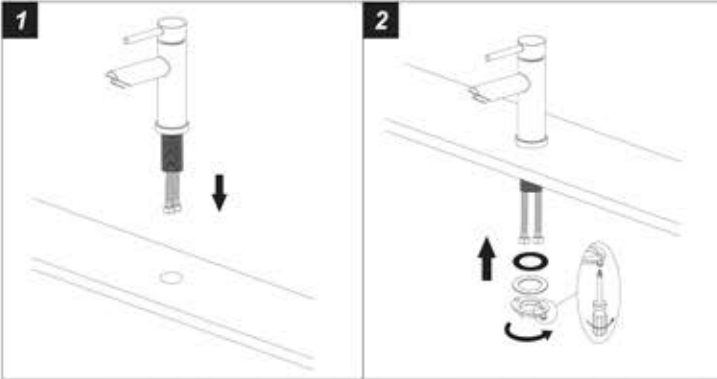
CS@daxib.com



1 888 685 8236



Step 1 Faucet installation

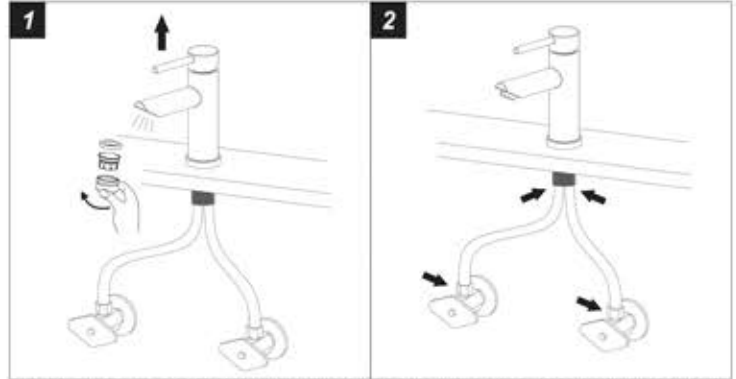


- 1. Position the faucet in order on the counter top as shown. Assemble gasket assembly and lock nut to faucet threaded sleeve by hand and tighten the screws with screwdriver.
- 2. Connect the shower hose to effluent joint. **CAUTION: MAKE SURE THE HOSE IS PROPERLY ENGAGED.** Dis-assemble the weight and put it on the shower hose. Then fix screws by screw driver.



- 3. Connect the flexible hoses to water supply valve, and tighten it with adjustable wrench. **DON'T OVER TIGHTEN!**
Caution: make sure connect the hot and cold flexible hose to supply valves correctly.
- !** Warning: The supply valves are not included, please purchase them in plumbshop.

Step 2 Checking and testing



- 1. Remove the Faucet nozzle by hand. Turn the faucet handle all the way on, turn on hot and cold water supply and flush water lines for one minute. Reinstall Faucet nozzle by hand.
- 2. Check all connections at arrows for leaks, re-tighten it if necessary.

! BUT DON'T OVERTIGHTEN

Step 3 Cleaning and care

Daily cleaning and care are required in order to keep the product shining and properly working.

- 1 Clean it with water and dry it with soft cloth.
- 2 Clean the product with gentle liquid or glass cleaner.
- 3 Don't use acid cleaner.
- 4 Don't clean with abrasive material, abrasive paper or knife.

Tips :

please DO NOT disassemble any part from product when open the box, otherwise it may cause functional problem when using.

If you receive the physical product and there are subtleties is not consistent with the picture, because we do upgrade improved products to make the products more beautiful and lasting longer.

For parts or sale requirements please contact our customer service department:

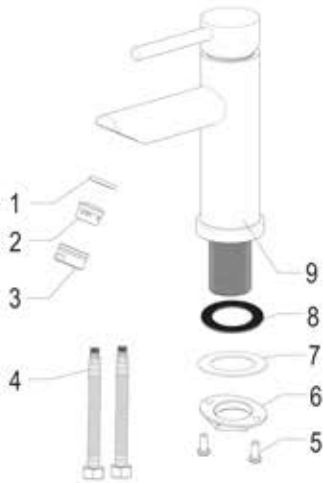
CS@daxib.com

1 888 685 8236



Step 4 Parts list

SINGLE LEVER BASIN FAUCET



NO.	PART NAME
1	Washer
2	Aerator core
3	Aerator
4	Flexible hose
5	Screw
6	Lock nut
7	Gasket
8	Washer
9	Body

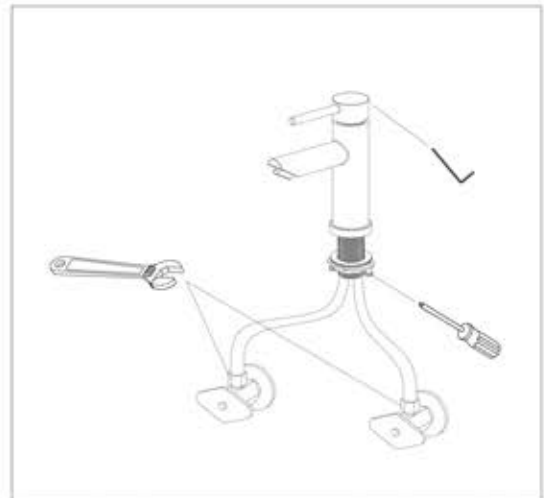


SINGLE LEVER BASIN FAUCET

RECOMMENDED TOOLS

Attention:
 For easy installation, you will need:
 1. To read all the installation instruction completely before beginning.
 2. To read all the warning, attention and maintenance information.
 3. To purchase the proper supply lines.

The tools might be applied to the following places:



For parts or sale requirements please contact our customer service department:

✉ CS@daxib.com

📞 1 888 685 8236