

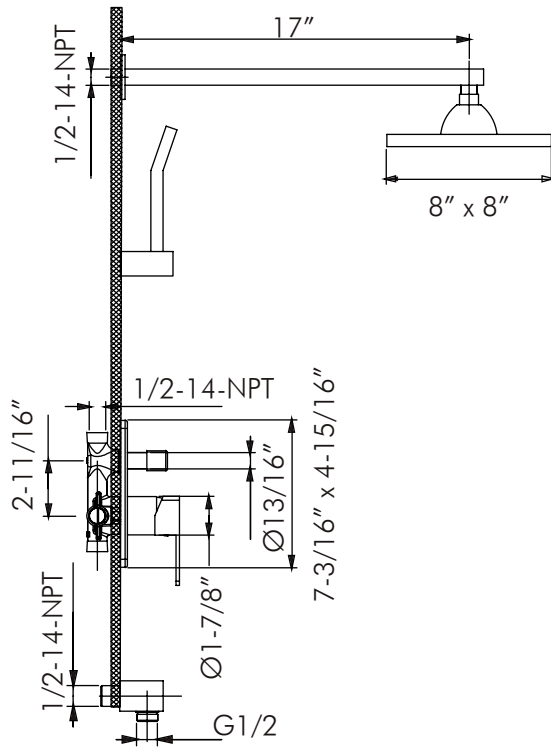


DAX-6813B-BN



SHOWER SYSTEMS SERIES





FEATURES

- Two function valve
- Wall mount shower head
- Rainshower
- Handshower included
- Silicone water nozzles
- Ceramic cartridge
- Shower head flow rate 2.5 GPM
- Handshower head flow rate 2.5 GPM
- Pressure balance valve
- Brass body





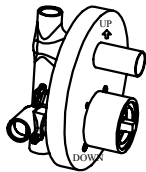
SHOWER SYSTEM DAX-6813B-BN

MODEL	DAX-6813B-BN
ADA	NONE
UPC APPROVED	YES
ANSI APPROVED	NONE
ASME APPROVED	NONE
BODYSPRAYS INCLUDED	NONE
HAND SHOWER FLOW RATE (GPM)	2.5 GPM
SHOWER HEAD FLOW RATE (GPM)	2.5 GPM
HANDLE MATERIAL	Zinc
HAND SHOWER INCLUDED	YES
HAND SHOWER HOSE INCLUDED	YES
HAND SHOWER HOSE LENGTH	59-1/16 "
INSTALLATION TYPE	Wall mount
PRESSURE BALANCE	YES
SCALD GUARD	NONE
SHOWER ARM CONNECTION SIZE	1/2-14-NPT
SHOWER HEAD	YES
SHOWER HEAD SHAPE	Square
SHOWER HEAD WIDTH	17"
SLIDE BAR INCLUDED	NONE
SLIDE BAR DIMENSION	NONE
SPRAY PATTERN	YES
THERMOSTATIC	NONE
VALVE INCLUDED	YES
VALVE TYPE	Pressure-balancing control valve
WATERSENSE CERTIFIED	NONE
WALL ELBOW DIMENSION	1/2-14-NPT
FINISH	Brushed nickel

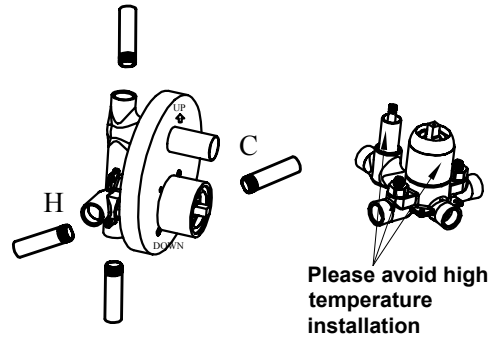




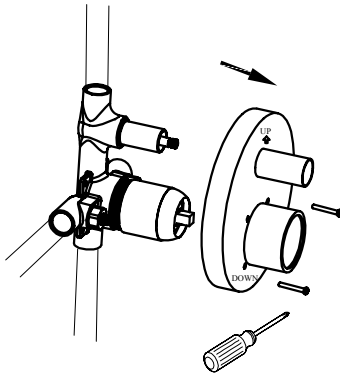
01



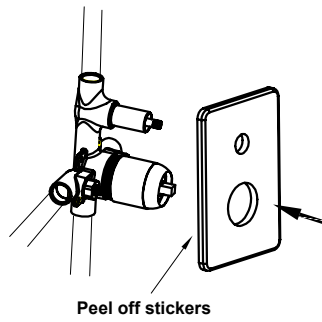
02



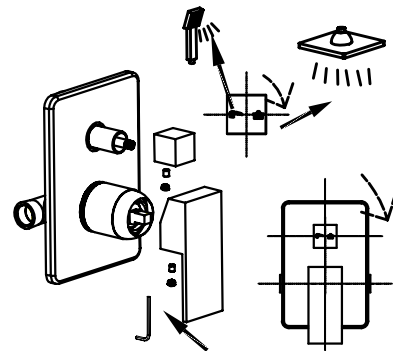
03



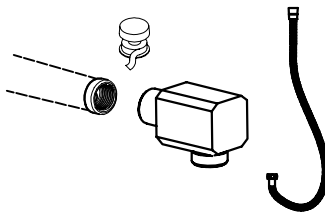
04



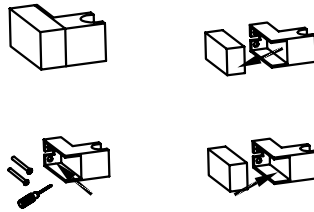
05



06



07



08

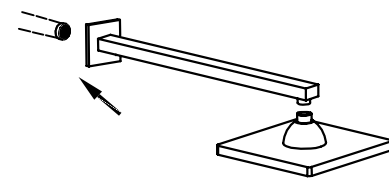




DIAGRAM NUMBER	DAX SKU	TITLE DESCRIPTION
1	6813B-5	Bowels Core
2	6923-08	Bonnet
3	O-16-1-8	O-Ring
4	6923-07	Stud
5	O-10-5-1-9	O-Ring
6	6923-06	Spring
7	6923-05	Stop
8	6923-04	Gasket
9	6813B-1	Body
10	6923-3	Ceramic Cartridge
11	6813-3	Ceramic Cartridge
12	6813-2	Outer Loop
13	6813-4	Handle
14	6923-2	Outer Loop
15	N-M42-1-25	Bonnet
16	6951A-4	Cap W/Adjusting Ring
17	6923-11	Protect Cover
18	10-24UNC	Screw
19	6533A-2	Gasket
20	6813-15	O-Ring
21	6923-12	O-Ring
22	6813B-3	Escutcheon
23	M5-6N	Screw
24	JD-6941A-02	Button(Red/Blue)
25	6813B-1	Handle
26	6813B-6	Asiento
27	6813B-7	Handshower
28	6813B-2	Shower Hose
29	6813B-9	Shower
30	6813B-15	Shower Hose
31	ls-60	Screw
32	sn-6.8	Button

