

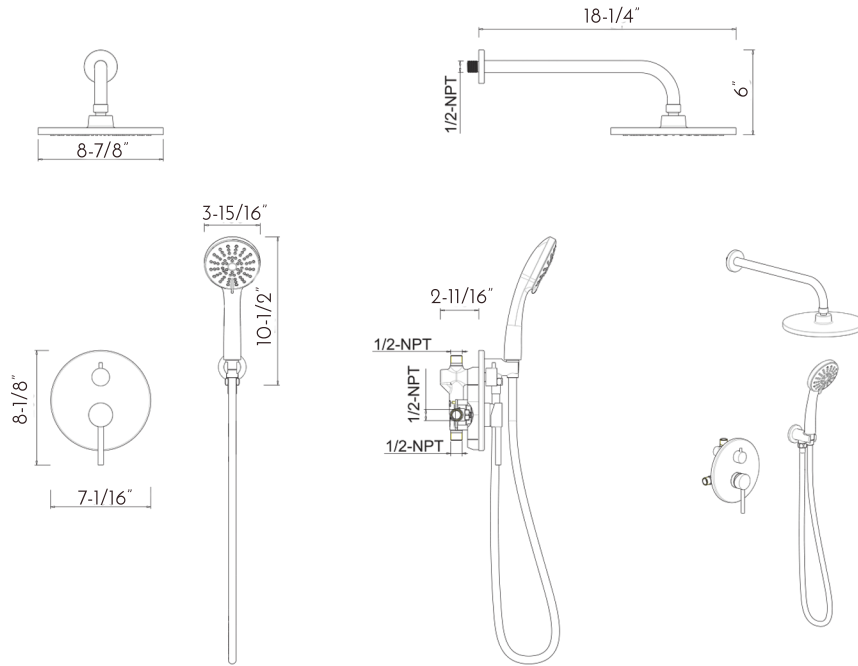


DAX-6813-BN



SHOWER SYSTEMS **SERIES**





FEATURES

- Two function valve
- Wall mount shower head
- Rainshower
- Handshower included
- Silicone water nozzles
- Ceramic cartridge
- Shower head flow rate 2.5 GPM
- Handshower head flow rate 2.5 GPM
- Pressure balance valve
- Brass body





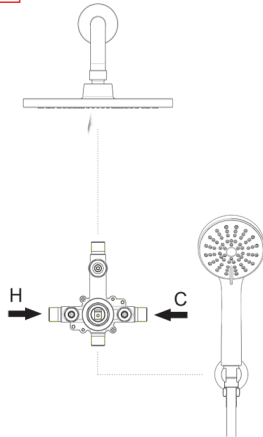
SHOWER SYSTEM **DAX-6813-BN**

MODEL	DAX-6813-BN
ADA	NO
UPC APPROVED	4974
ANSI APPROVED	NO
ASME APPROVED	NO
BODYSPRAYS INCLUDED	NO
NUMBER OF BODYSPRAYS	NO
BODYSPRAYS CONNECTION SIZE	NO
HAND SHOWER FLOW RATE (GPM)	2.5 GPM
SHOWER HEAD FLOW RATE (GPM)	2.5 GPM
ROUGH-IN VALVE FLOW RATE (GPM)	NO
HANDLE MATERIAL	Zinc
HAND SHOWER INCLUDED	YES
HAND SHOWER HOSE INCLUDED	YES
HAND SHOWER HOSE LENGTH	59-1/16 "
INSTALLATION TYPE	Wall mounted
MATERIAL	Brass
PRESSURE BALANCE	YES
SCALD GUARD	NO
SHOWER ARM CONNECTION SIZE	1/2-14-NPT
SHOWER HEAD	YES
SHOWER HEAD SHAPE	Circular
SHOWER HEAD WIDTH	17"
SLIDE BAR INCLUDED	NO
SLIDE BAR DIMENSION	NO
SPRAY PATTERN	YES
THERMOSTATIC	NO
VALVE INCLUDED	YES
VALVE TYPE	Pressure-balancing control valve
WATERSENSE CERTIFIED	NO
WALL ELBOW DIMENSION	G1/2
FINISH	Brushed nickel

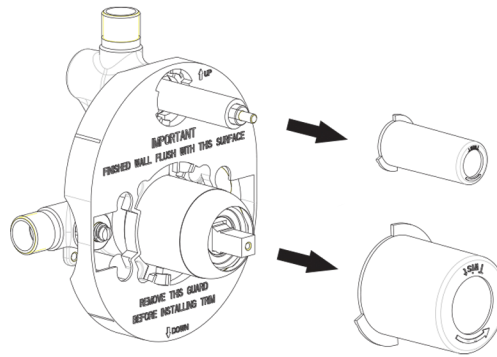




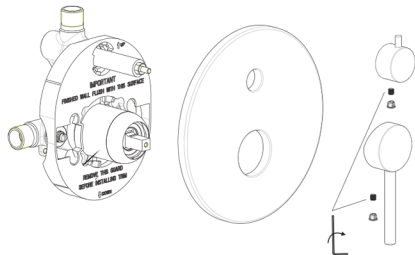
01



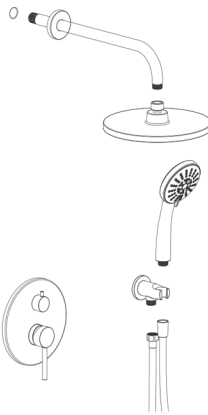
02



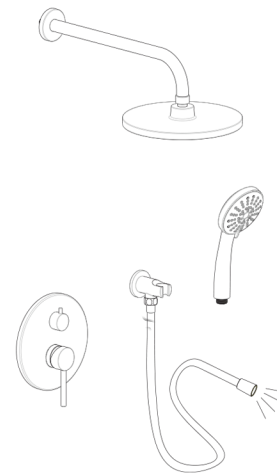
03



04



05



06

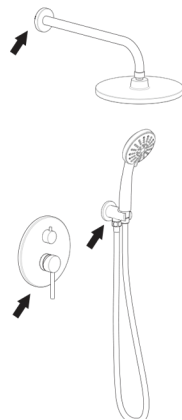




DIAGRAM NUMBER	DAX SKU	TITLE DESCRIPTION
1	6813-17	Bowels Core
2	6923-08	Bonnet
3	16-1-8	O-Ring
4	6923-07	Stud
5	10-5-2	O-Ring
6	6923-06	Spring
7	6923-05	Stop
8	6923-04	Gasket
9	JD-6941A-02	Button(Red/Blue)
10	M5-6N	Screw
11	6813-13	Handle
12	6813-14	Handle
13	M5-16N	Screw
14	6813-16	Escutcheon
15	6813-15	O-Ring
16	6923-12	O-Ring
17	10-24 UNC	Screw
18	6923-11	Protect Cover
19	6951A-4	Cap W/Adjusting Ring
20	N-M42-1-25	Bonnet
21	6813-2	Outer Loop
22	6813-2	Outer Loop
23	6813-3	Ceramic Cartidge
24	6813-3	Ceramic Cartidge
25	6813B-1	Body
26	6813-8	Asiento
27	6813-12	Handshower
28	6813-9	Shower Hose
29	6813-10	Escutcheon
30	6813-11	Shower
31	6813-18	Shower Hose
32	6813-19	Screw

