



DAX-6690B-BN



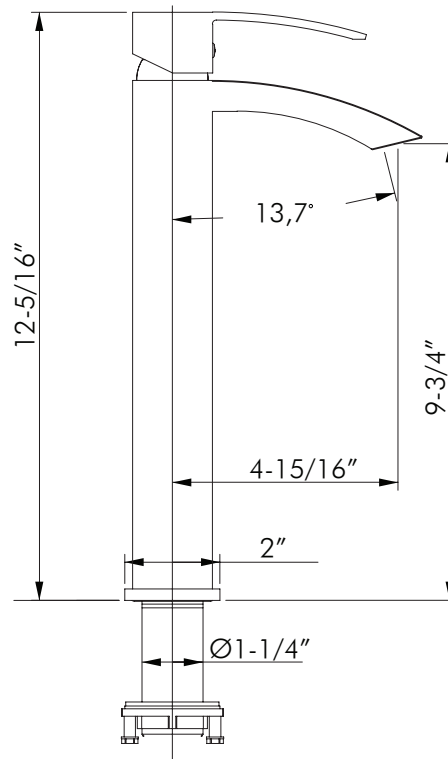
BATHROOM FAUCETS SERIES



[www.daxib.com](http://www.daxib.com)



DAX-6690B-BN



## FEATURES

- Single lever
- Vessel installation
- Ceramic cartridge
- Brass body
- Flow rate 2.2 GPM
- Installation hole 1-3/8"
- Hoses and mounting parts included
- Pop up drain not included (available)
- Brushed nickel finish





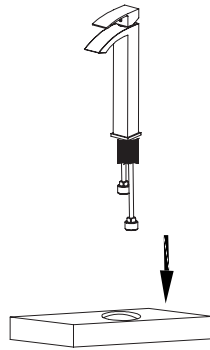
BATHROOM FAUCET **DAX-6690B-BN**

MODEL	DAX-6690B-BN
ADA	4974
UPC APPROVED	4974
ANSI APPROVED	N-6375
ASME APPROVED	NO
WATERSENSE CERTIFIED	NO
NSF APPROVED	N-6375
CONNECTION SIZE	9/16
FAUCET HOLE SIZE	Ø1-1/4"
FAUCETS HOLE	Single hole
FAUCET TYPE	Lavatory Faucet
FLOW RATE (GPM)	2.2gpm at 60 psi
HANDLE STYLE	Single Handle
NUMBER OF HANDLES	1
HEIGHT	12-5/16"
HOSE LENGTH	19-11/16"
INSTALLATION TYPE	Deck Mounted
MATERIAL	Brass
FINISH	Brushed nickel
SIDESPRAY	Without Spray
SPOUT HEIGHT	9-3/4"
CARTRIDGE TYPE	1-3/8" Ceramic cartridge
POP-IP INCLUDED	NO
MAX DECK THICKNESS	2-3/8" Bottom Sleeve

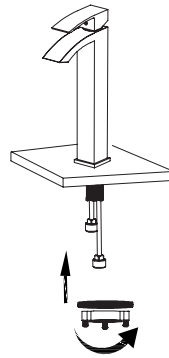




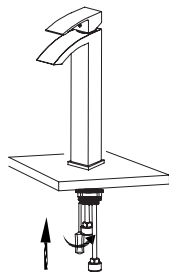
01



02



03



04

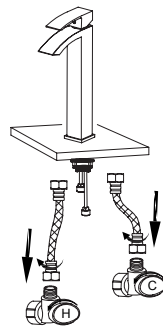
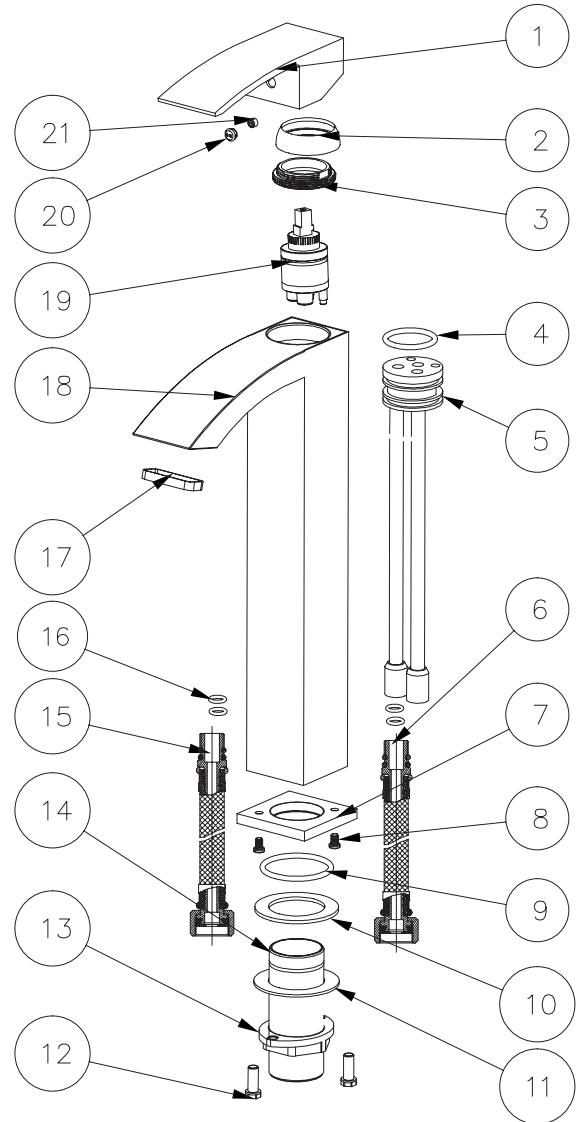




DIAGRAM NUMBER	DAX SKU	TITLE DESCRIPTION
1	P6921-4	Handle
2	JD-6941A-04	Cap W/Adjusting
3	JD-6941A-05	Bonnet
4	32-3	O-Ring
5	6932-5	Bowels Core
6	6902A-12	Hose
7	P6932-7	Ring
8	P6921-6	Set Screw
9	43-3	O-Ring
10	JD-6941A-12	Gasket
11	JD-6941A-13	Film
12	JD-6941A-14	Set Screw
13	JD-6941A-15	Nut
14	JD-6941A-16	coop
15	6902A-13	Hose
16	O-10-5-1-9	O-Ring
17	P6921-5	Aerator
18	6921-2	Body
19	DJ-35	Ceramic Cartridge
20	JD-6941A-02	Button
21	5-4	Set Screw



For parts or sale requirements please contact our customer service department:

 [CS@daxib.com](mailto:CS@daxib.com)

 1 888 685 8236

