



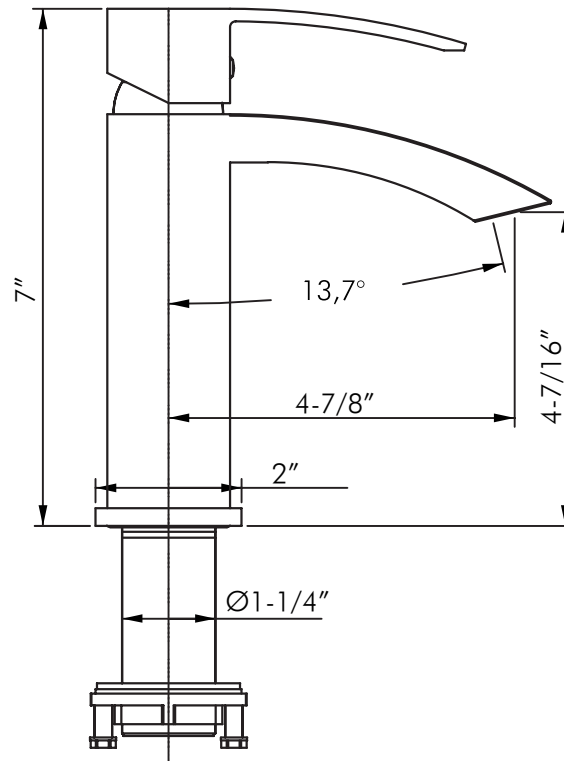
DAX-6690A-CR



BATHROOM FAUCETS SERIES



www.daxib.com



FEATURES

- Single lever
- Ceramic cartridge
- Brass body
- Flow rate 2.2 GPM
- Installation hole 1-3/8"
- Hoses and mounting parts included
- Pop up drain not included (available)
- Chrome finish





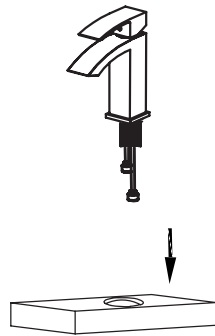
BATHROOM FAUCET DAX-6690A-CR

MODEL	DAX-6690A-CR
ADA	4974
UPC APPROVED	4974
ANSI APPROVED	N-6375
ASME APPROVED	None
WATERSENSE CERTIFIED	None
NSF APPROVED	N-6375
CONNECTION SIZE	9/16
FAUCET HOLE SIZE	Ø1-1/4"
FAUCETS HOLE	Single hole
FAUCET TYPE	Lavatory Faucet
FLOW RATE (GPM)	2.2gpm at 60 psi
HANDLE STYLE	Single Handle
NUMBER OF HANDLES	1
HEIGHT	7"
HOSE LENGTH	19-11/16"
INSTALLATION TYPE	Deck Mounted
MATERIAL	Brass
FINISH	Chrome
SIDESPRAY	Without Spray
SPOUT HEIGHT	4-7/16"
SPOUT SWIVEL	None
CARTRIDGE TYPE	Ceramic
POP-IP INCLUDED	NO
MAX DECK THICKNESS	2-3/8" Bottom Sleeve

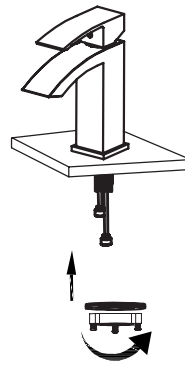




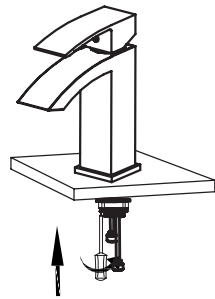
01



02



03



04

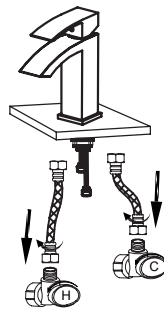
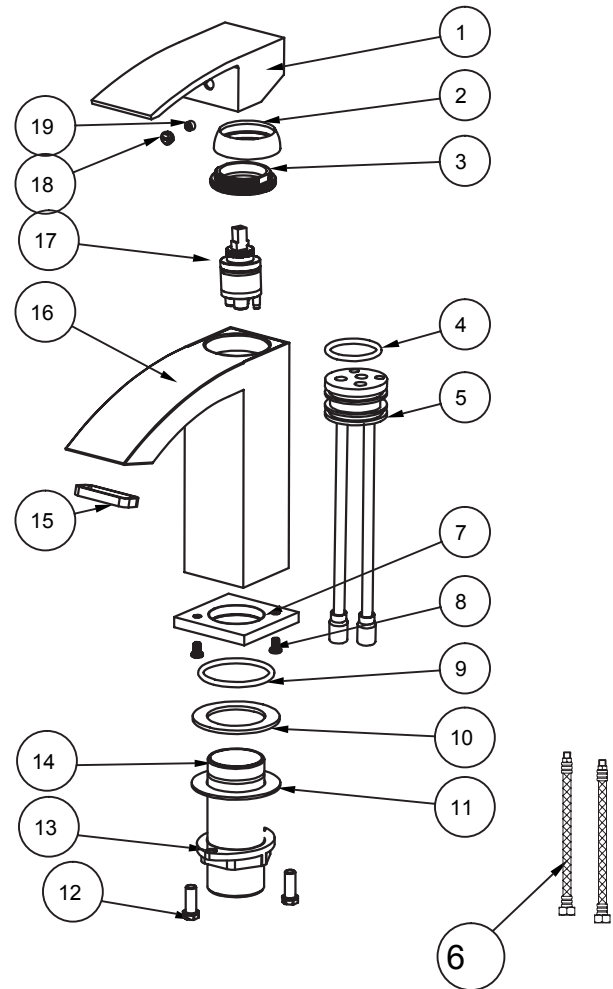




DIAGRAM NUMBER	DAX SKU	TITLE DESCRIPTION
1	P6921-4	Handle
2	JD-6941A-04	Cap W/Adjusting
3	JD-6941A-05	Bonnet
4	32-3	O-Ring
5	P6932-6	Bowels Core
6	6902A-13	Hose
7	P6932-7	Ring
8	P6921-6	Set Screw
9	43-3	O-Ring
10	JD-6941A-12	Gasket
11	JD-6941A-13	Film
12	JD-6941A-14	Set Screw
13	JD-6941A-15	Nut
14	JD-6941A-16	coop
15	P6921-5	Aerator
16	P6921-2	Body
17	GJ-35	Ceramic Cartridge
18	JD-6941A-02	Button
19	5-4	Set Screw



For parts or sale requirements please contact our customer service department:

 CS@daxib.com

 1 888 685 8236

