



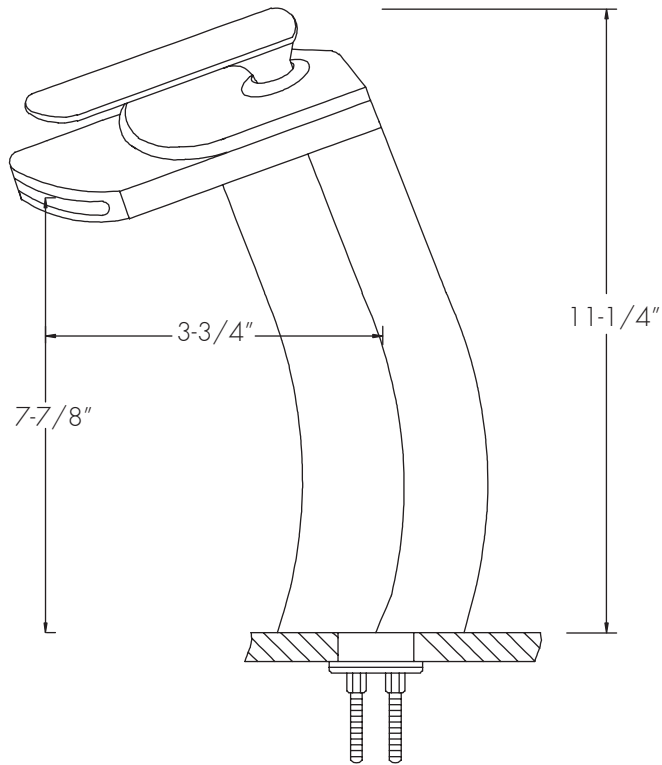
DAX-6606-BN



BATHROOM FAUCETS SERIES



www.daxib.com



FEATURES

- Single lever
- Vessel installation
- Ceramic cartridge
- Brass body
- Flow rate 2.2 GPM
- Installation hole 1-3/8"
- Hoses and mounting parts included
- Pop up drain not included (available)
- Brushed nickel finish





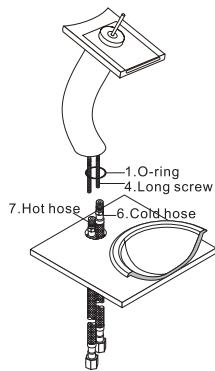
BATHROOM FAUCET DAX-6606-BN

MODEL	DAX-6606-BN
ADA	NO
UPC APPROVED	YES
ANSI APPROVED	YES
ASME APPROVED	YES
WATERSENSE CERTIFIED	YES
NSF APPROVED	YES
CONNECTION SIZE	3/8" compression
FAUCET HOLE SIZE	1-3/8"
FAUCETS HOLE	Single hole
FAUCET TYPE	Bathroom faucet
FLOW RATE (GPM)	2.2 GPM
HANDLE STYLE	Lever
NUMBER OF HANDLES	1
HEIGHT	11- 1/4"
HOSE LENGTH	24"
INSTALLATION TYPE	Deck mounted
MATERIAL	Brass
FINISH	Brushed nickel
SIDESPRAY	NO
SPOUT HEIGHT	7- 7/8"
SPOUT REACH	3- 3/4"
SPOUT SWIVEL	NO
SPOUT TYPE	Waterfall
CARTRIDGE TYPE	Ceramic
POP-IP INCLUDED	NO
MAX DECK THICKNESS	2"



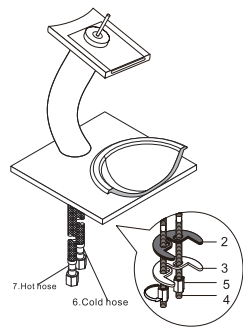


01



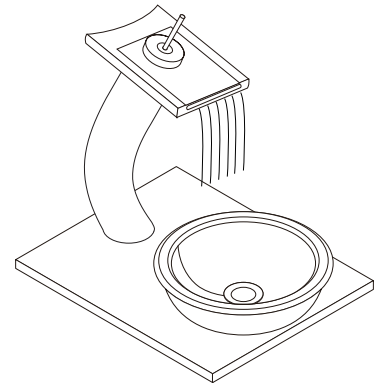
1) Screw the long screws (4) on the faucet. Place O-ring (1) below faucet and screw the hot hose (7), cold hose (6). And then put them into the hole.

02



2) Tighten lock nut (5), metal washer (3) and rubber washer (2). And then connect water supply (not included) on the hot hose (7) and cold hose (6).

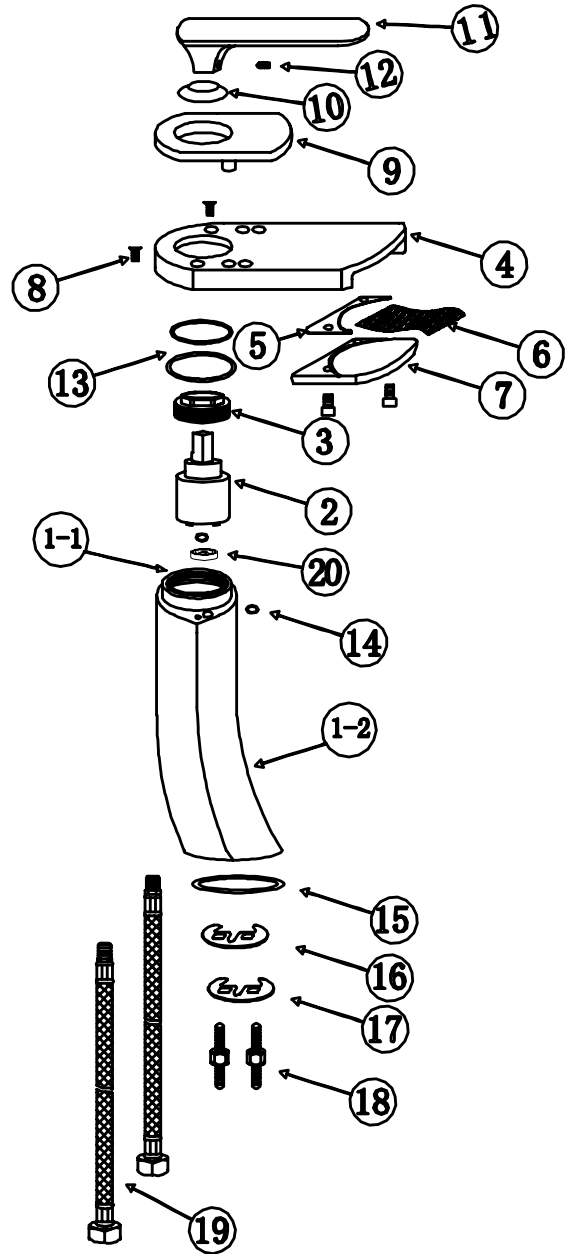
03



3) Open the hot and cold water supplies. Check for leaks. Turn on faucet handle for one minute to flush debris from faucet.



DIAGRAM NUMBER	DAX SKU	TITLE DESCRIPTION
1.1		Body
1.2		Body
2		Cartridge
3		Pressing nut
4		Spout
5		Sealing gasket
6		Filter
7		Pressing nut
8		Screw
9		Pressing nut
10		Cover
11		handle
12		Screw
13		O-ring
14		O-ring
15		O-ring
16		horseshoe gasket
17		horseshoe gasket
18		Fixing nut
19		Flexible hose
20		Water valve



For parts or sale requirements please contact our customer service department:

 CS@daxib.com

 1 888 685 8236

