



DAX-6563A-BL

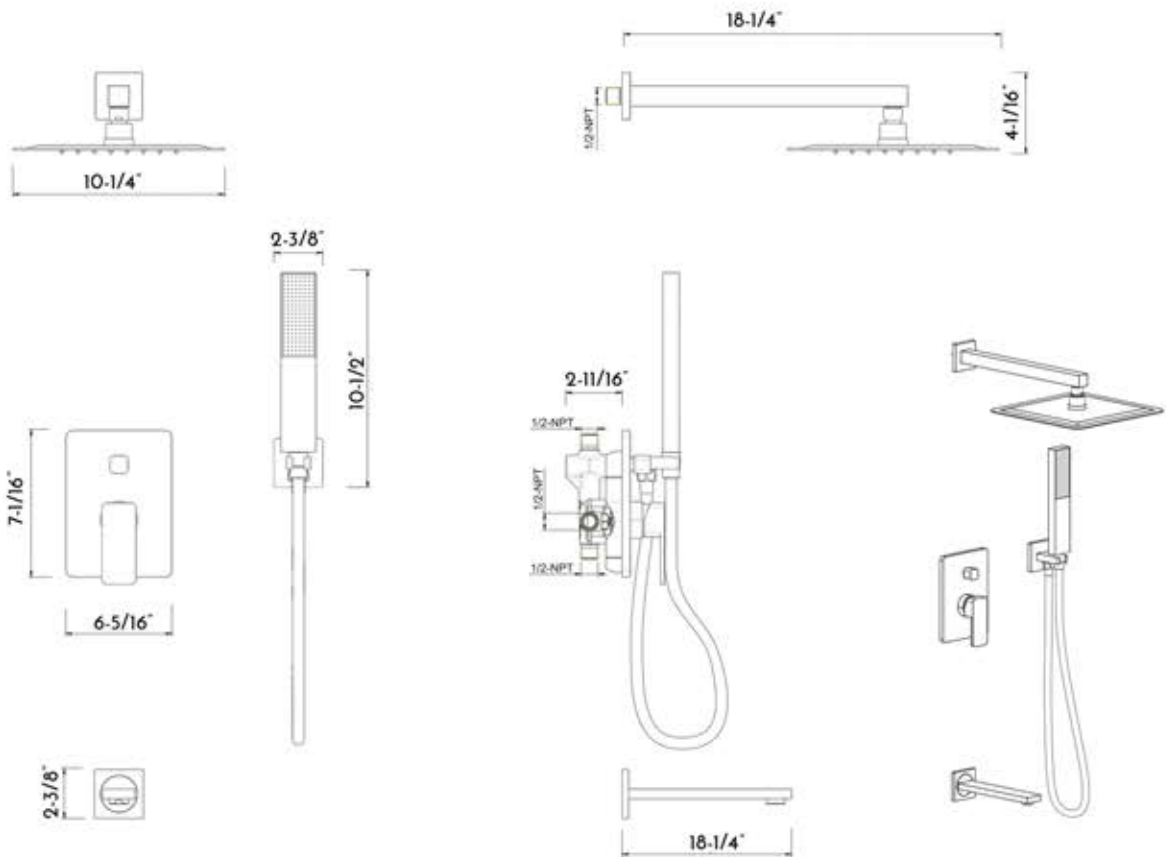


SHOWER SYSTEMS **SERIES**



FEATURES

- 3 Way Shower System
- Matte black finish
- Hand shower flow Rate: 2.5 GPM
- Shower head flow Rate: 2.5 GPM
- Rough-In valve flow Rate: 9.5 GPM
- UPC Approved
- Water lines and mounting parts included





SHOWER SYSTEM DAX-6563A-BL

MODEL	DAX-6563A-BL
MATERIAL	Brass
FINISH	Matte Black
UPC APPROVED	Yes
NUMBER OF BODYSPRAYS	One
HAND SHOWER FLOW RATE	2.5 GPM
SHOWER HEAD FLOW RATE	2.2 GPM
ROUGH-IN VALVE FLOW RATE	9.5 GPM
HAND SHOWER INCLUDED	Yes
HAND SHOWER HOSE INCLUDED	Yes
HAND SHOWER HOSE LENGHT	59-1/16"
INSTALLATION TYPE	Wall Mounted
PRESSURE BALANCE	Yes
SCALD GUARD	Yes
SHOWER HEAD INCLUDED	Yes
SLIDE BAR INCLUDED	No
HOW MANY FUNCTIONS?	Three
WATER EFFICIENT	No

For parts or sale requirements
please contact our customer service department:

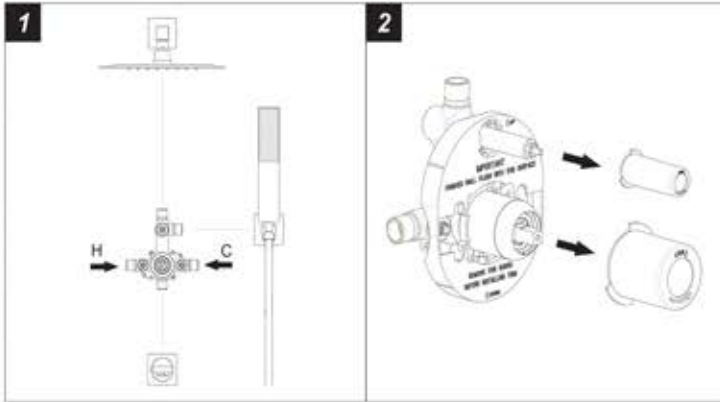
 CS@daxib.com



1 888 685 8236

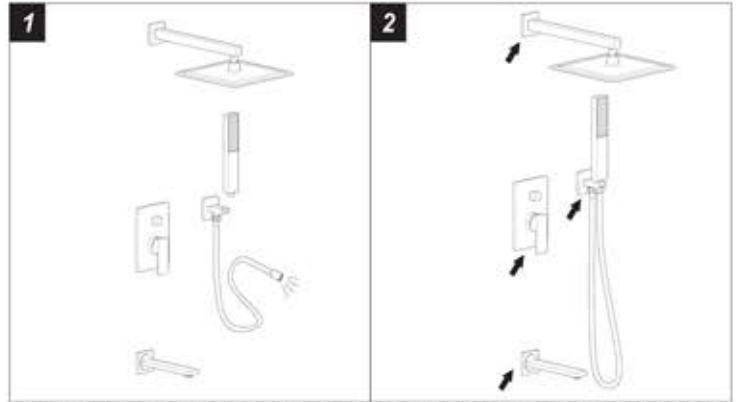


Step 1 Faucet installation



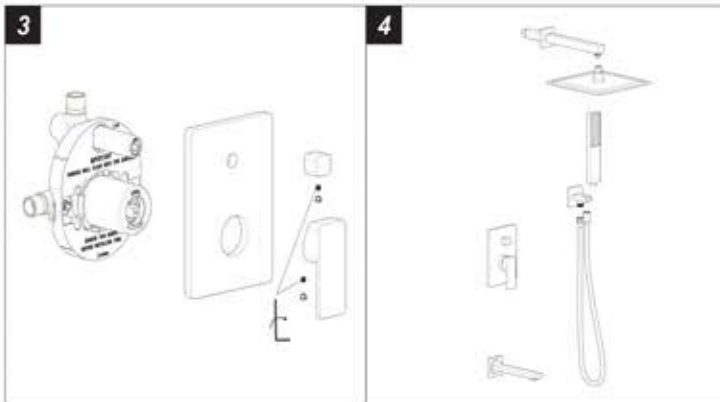
- 1. Determine the faucet position, and then install faucet as shown in the illustration.
- 2. Take out the protective cover after the wall is completed.

Step 2 Checking and testing



- 1. Remove the Faucet nozzle by hand. Turn the faucet handle all the way on, turn on hot and cold water supply and flush water lines for one minute. Reinstall Faucet nozzle by hand.
- 2. Check all connections at arrows for leaks, re-tighten it if necessary.

! BUT DON'T OVERTIGHTEN



- 3. Install the panel handwheel and handle as shown in the figure.
- 4. Install the top sprinkler and hand-held sprinkler as shown in the figure.

Step 3 Cleaning and care

Daily cleaning and care are required in order to keep the product shining and properly working.

- 1 Clean it with water and dry it with soft cloth.
- 2 Clean the product with gentle liquid or glass cleaner.
- 3 Don't use acid cleaner.
- 4 Don't clean with abrasive material, abrasive paper or knife.

Tips :

please DO NOT disassemble any part from product when open the box, otherwise it may cause functional problem when using.

If you receive the physical product and there are subtleties is not consistent with the picture, because we do upgrade improved products to make the products more beautiful and lasting longer.

For parts or sale requirements please contact our customer service department:

CS@daxib.com

1 888 685 8236