



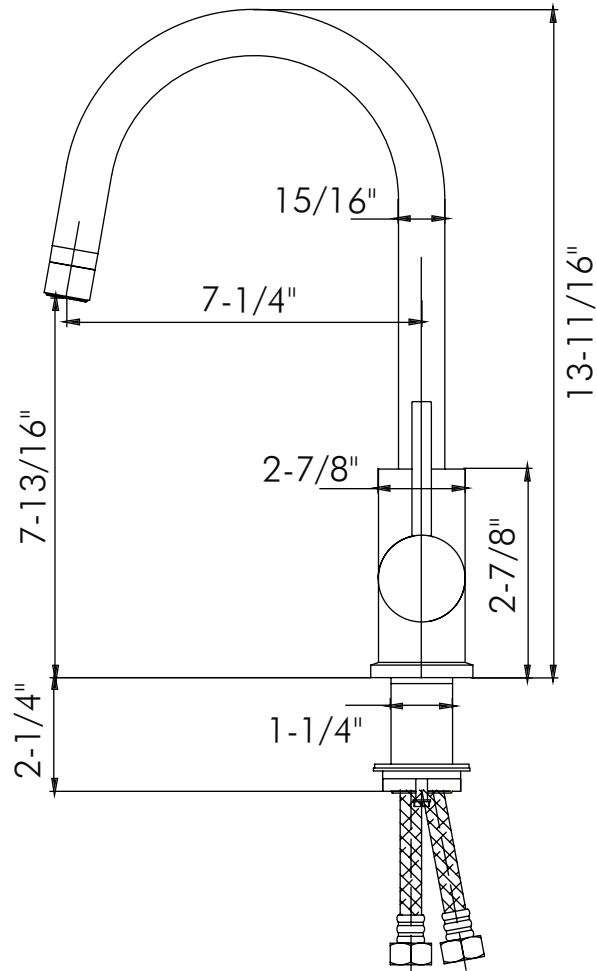
DAX-6515-BN



KITCHEN FAUCETS **SERIES**



[www.daxib.com](http://www.daxib.com)



## FEATURES

- Fixed shower head
- Brushed nickel finish
- Brass body casting
- Single sprayer
- Ceramic cartridge
- Flow rate 1.5-2.2 GPM
- Height 13-11/16"
- Installation hole 1-3/8"
- Water lines and mounting parts included





KITCHEN FAUCET **DAX-6515-BN**

MODEL	DAX-6515-BN
UPC APPROVED	YES
ANSI APPROVED	YES
ASME APPROVED	YES
WATERSENSE CERTIFIED	NO
NSF APPROVED	YES
CONNECTION SIZE	3/8" Female comp
FAUCET HOLE SIZE	1-3/8"
FAUCETS HOLE	1 hole
FAUCET TYPE	Kitchen faucet
FLOW RATE (GPM)	1.5 - 2.2 GPM
HANDLE STYLE	Lever
NUMBER OF HANDLES	1
HEIGHT	13-11/16"
HOSE LENGTH	20"
INSTALLATION TYPE	Deck mounted
MATERIAL	Brass and zinc
FINISH	Brushed nickel
SPOUT HEIGHT	7-7/8"
SPOUT SWIVEL	360°
SPOUT TYPE	Swivel
CARTRIDGE TYPE	Ceramic
MAX DECK THICKNESS	Ceramic disc
INCLUDED COMPONENTS	Water lines and mounting parts





DIAGRAM NUMBER	DAX SKU	TITLE DESCRIPTION
1	6941A-15	Nut
2	6515-10	Nut
3	6515-3	Aerator cover
4	6902A-12	Hose
5	6515-4	Cap W/Adjusting
6	N-M37-1-25	Button(Red/Blue)
7	6515-9	Handle
8	6515-5	Stud
9	DJ-35	Ceramic Cartridge
10	F-M37-1-25	Bonnet
11	6515-2	Bowels Core
12	6515-1	Spout
13	KM-24X18D5X1D3	O-Ring
14	KM-28D5X5	O-Ring
15	OQ-24X2D2	O-Ring
16	OQ-39X3	O-Ring
17	6515-7	Body
18	M5X5	Set Screw
19	M6*20	Set Screw
20	6902B-1	coop
21	6941A-12	Gasket
22	6941A-13	Film

