



DAX-65130-CR

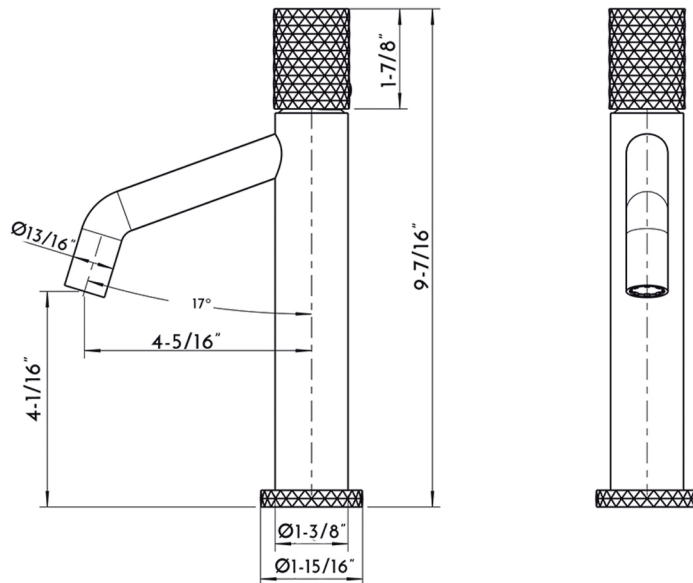


BATHROOM FAUCETS SERIES



FEATURES

- Single Lever
- Chrome Finish
- Ceramic Cartridge
- Installation Hole 1-3/8"
- Brass Body





BATHROOM FAUCET DAX-65130-CR

MODEL	DAX-65130-CR
MATERIAL	Brass
FINISH	Chrome
HEIGHT	9-3/8"
DEPTH	5-5/8"
WIDTH	1-15/16"
FLOW RATE	1.34 GPM
HOT COLD INDICATORS	No
DECK PLATE INCLUDED	X
COMPATIBLE VALVE TYPE	Ceramic Cartridge
HANDLE STYLE	Single lever
NUMBER OF HANDLES	One
INSTALLATION TYPE	Deck mounted

For parts or sale requirements
please contact our customer service department:



CS@daxib.com



1 888 685 8236