



DAX-65127-BL

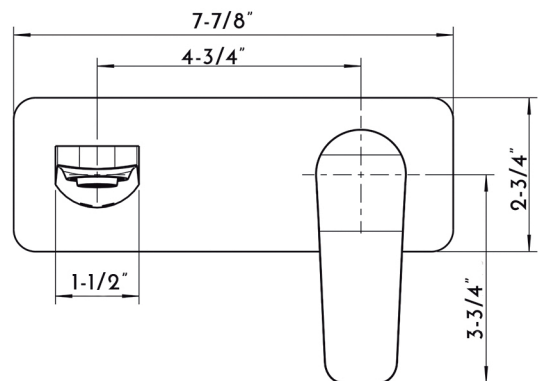
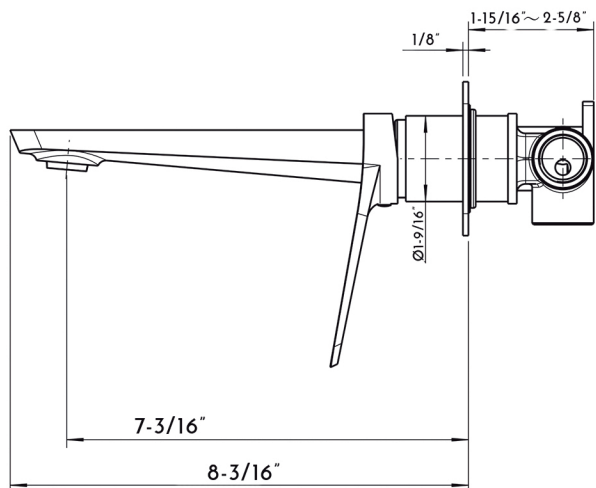


BATHROOM FAUCETS SERIES



FEATURES

- Single Lever
- Matte Black Finish
- Ceramic Cartridge
- Installation Hole 1-3/8"
- Brass Body





BATHROOM SINK **DAX-65127-BL**

MODEL	DAX-65127-BL
MATERIAL	Brass
FINISH	Matte Black finish
HEIGHT	5-1/8"
DEPTH	7-7/8"
WIDTH	10-1/8"
FLOW RATE	1.4 GPM
HOT COLD INDICATORS	Yes
DECK PLATE INCLUDED	X
COMPATIBLE VALVE TYPE	Ceramic Cartridge
HANDLE STYLE	Single Lever
NUMBER OF HANDLES	One
INSTALLATION TYPE	Concealed

For parts or sale requirements
please contact our customer service department:



CS@daxib.com



1 888 685 8236