



DAX-65118-CR

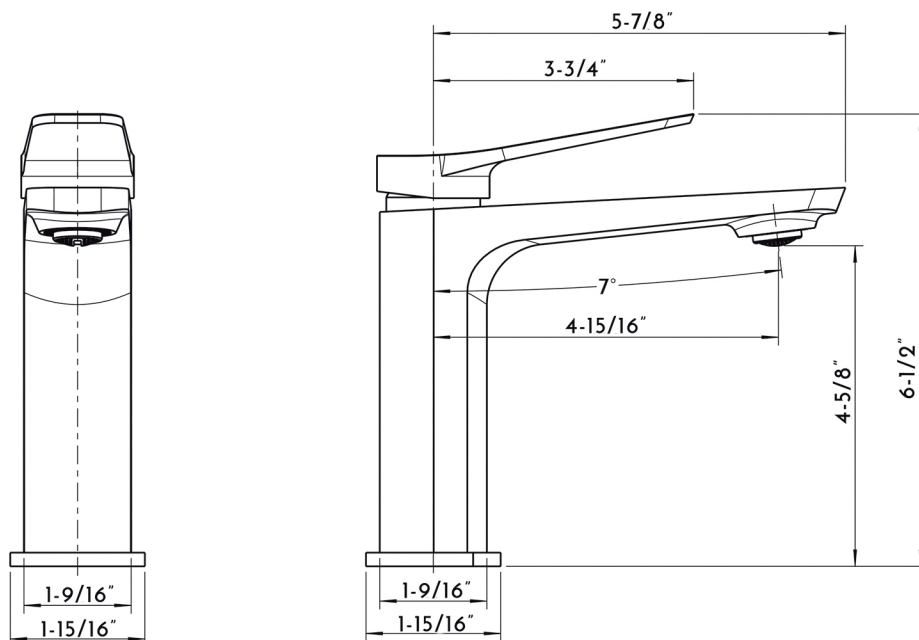


BATHROOM FAUCETS SERIES



## FEATURES

- Single Lever
- Chrome Finish
- Ceramic Cartridge
- Installation Hole 1-3/8"
- Brass Body





BATHROOM SINKS **DAX-65118-CR**

MODEL	DAX-65118-CR
MATERIAL	Brass
FINISH	Chrome
HEIGHT	6-1/2"
DEPTH	6-7/8"
WIDTH	1-15/16"
FLOW RATE	1.38 GPM
HOT COLD INDICATORS	Yes
DECK PLATE INCLUDED	X
COMPATIBLE VALVE TYPE	Ceramic Cartridge
HANDLE STYLE	Single Lever
NUMBER OF HANDLES	One
INSTALLATION TYPE	Concealed

For parts or sale requirements  
please contact our customer service department:



[CS@daxib.com](mailto:CS@daxib.com)



1 888 685 8236