



DAX-65118-BL

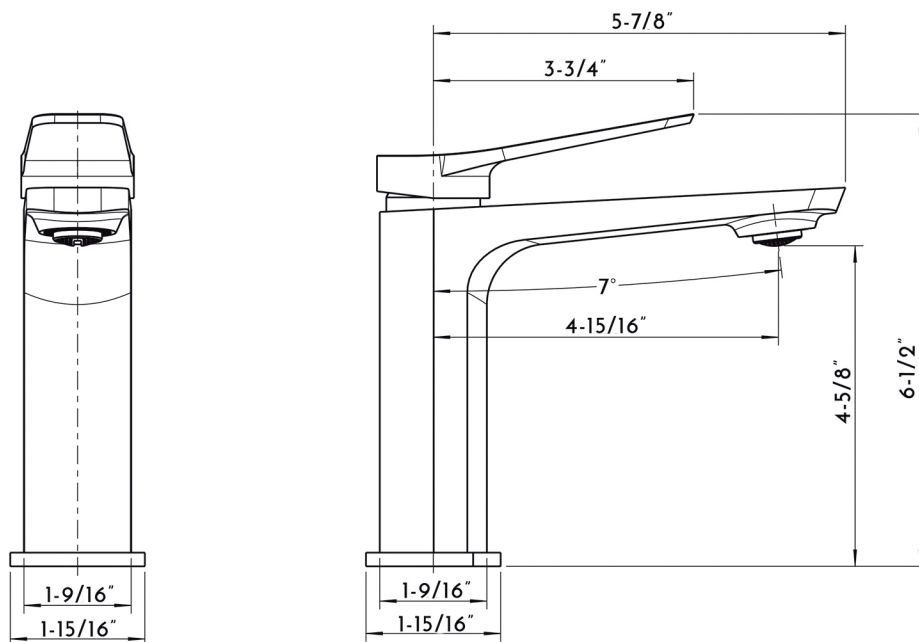


BATHROOM FAUCETS **SERIES**



FEATURES

- Single Lever
- Matte Black Finish
- Ceramic Cartridge
- Installation Hole 1-3/8"
- Brass Body





BATHROOM SINK **DAX-65118-BL**

MODEL	DAX-65118-BL
MATERIAL	Brass
FINISH	Matte Black
HEIGHT	6-1/2"
DEPTH	6-7/8"
WIDTH	1-15/16"
FLOW RATE	1.38 GPM
HOT COLD INDICATORS	Yes
DECK PLATE INCLUDED	X
COMPATIBLE VALVE TYPE	Ceramic Cartridge
HANDLE STYLE	Single Lever
NUMBER OF HANDLES	One
INSTALLATION TYPE	Concealed

For parts or sale requirements
please contact our customer service department:



CS@daxib.com



1 888 685 8236