

Problem Solve

Problem	Solution
No hot/cold water running when first installed	<ol style="list-style-type: none"> 1: Check if installation is wrong(Hot/ cold water pipes misconnected). 2: Check inlet filters and incoming water pressure. 3: Check if the line marked on the thermostatic cartridge for 38°C/100 °F setting is moved and adjust. 4: If above operation failed,change thermostatic cartridge.
Very low flow or no flow	<ol style="list-style-type: none"> 1: Check if water pressure is normal. 2: Check hot and cold water inlets and thermostatic cartridge filter if blocked with debris. 3: Turn-off the water to clean the dirty. 4: Change cartridges.
The water coming out cold for a while	Check if water pressure is normal.
Cold water tracking through the valve into the hot water system	Check and clean the check valve cartridges and filters located under the check valves.

PRODUCT MANUAL

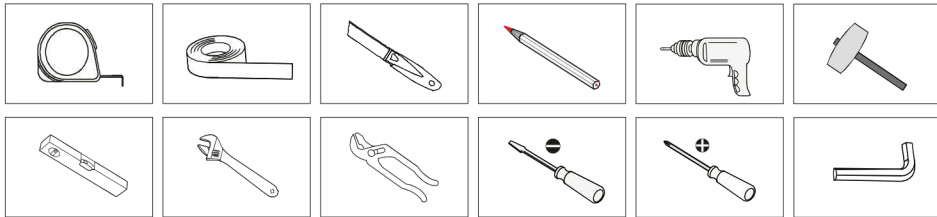


Version:2023(1)

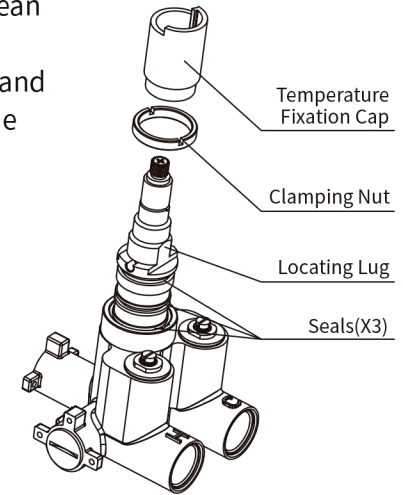
01/PRODUCT



02/TOOLS NOT INCLUDED

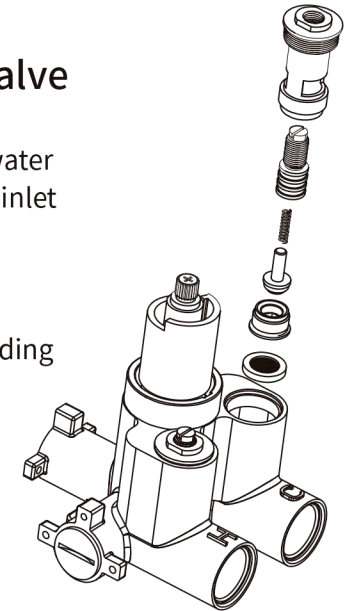


- Wash the cartridge with vinegar and clean running water and make sure that any trapped debris has been removed. Dry and lightly grease the seals (only use silicone grease) and replace the cartridge.
- Making sure that the locating lug is located in the recess of the valve. Before putting back the handles and decoration plate, test if 38°C/100°F is correct by a thermometer. (Temperature tolerance is $\pm 2^{\circ}\text{C}/36^{\circ}\text{F}$).
- In case the cleaned cartridge is failed, replace the new thermostatic cartridge in the same way.



Maintenance of filter/Stop Valve

- Function of the stop valve is to stop water backflow and water shut from water inlet supply for easy maintenance.
- Stop valve clean
Remove all the stop valve parts according to right chart.
Wash the filter and lightly grease the seals and put them back.



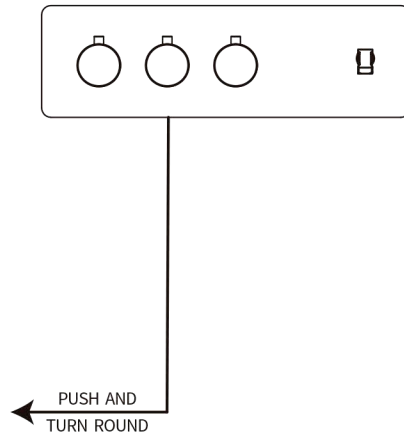
06 / FUNCTION

Temperature Setting

38°C/100°F is set by the factory
(Temperature tolerance is ±2°C/36°F)

Temperature Adjusting

- Clockwise rotate the handle for cold water and anti-clockwise rotate for hot water.
- When the handle knob pointing at 38°C/100°F, push the knob and turn anti-clockwise to find your suitable hotter temperature.
- When cold water inlet failures, the hot water will be stopped.

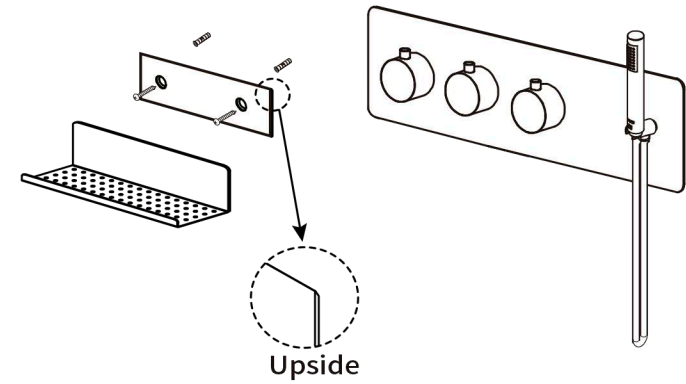


07 / MAINTENANCE

⚠ Note

- To avoid damage, please remove all chrome parts before any maintenance takes place.
- The thermostatic cartridge should be trouble-free. But in case of failure, maintenance is very simple. Loose the cartridge clamping nut and pull the cartridge out with the temperature handle. (If the cartridge is very tight inside because of oil run out, use tools like pliers.)

03 / SPARE PART LIST



X (1pc)		X (1pc)		X (1pc)	
X (1pc)		X (3pc)			
X (1pc)		X (3pc)		X (6pc)	
X (2pc)		X (8pc)		X (1pc)	
X (3pc)		X (1pc)		X (1pc)	
X (3pc)		X (3pc)			

04/ INSTALLATION

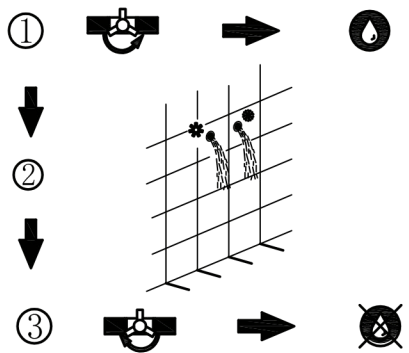


Chart1

Flush the water supply lines thoroughly to drain debris and impurities. Shut off the water before installation.

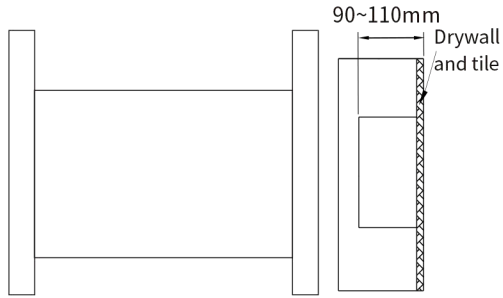


Chart2

Fix a wood plate to the two wood pipes for faucet installation.

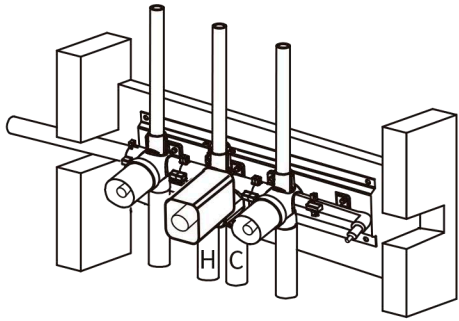


Chart3

Connect water pipes with the valve body.

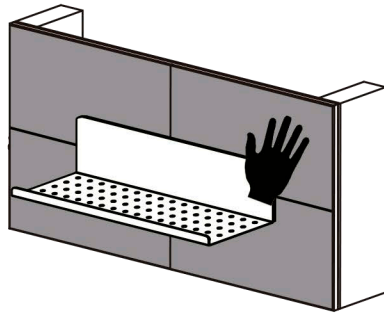


Chart15

Hook the holder on the installation plate and press hardly around.

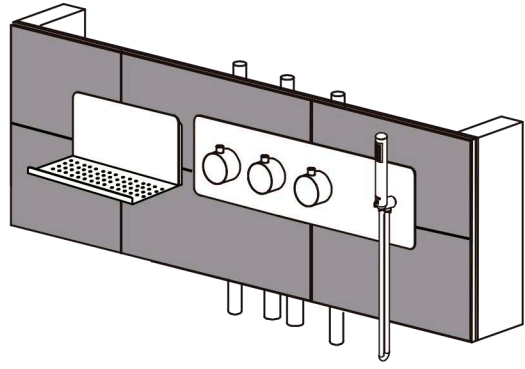


Chart16

Installation finish.

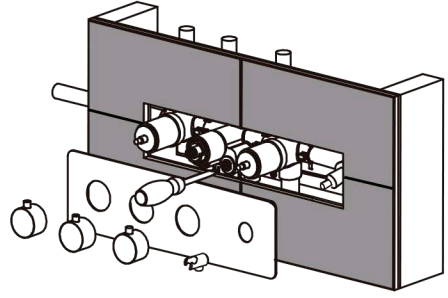


Chart17

Two stop valves are for thermostatic valve maintenance use. Clockwise rotate for water off and anti-clockwise rotate for water on. Before operating the stop valves, handles and decoration plate must be dismantled.

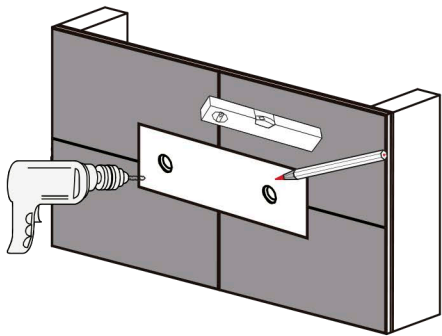
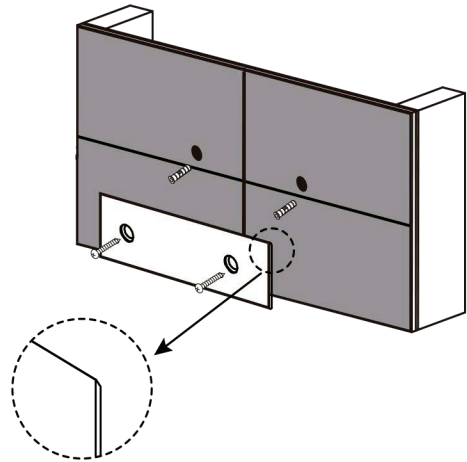


Chart12

Put the installation plate on the wall and mark the position and drill holes accordingly.



Upside

Chart13

Fix the installation plate on the wall with self-tapping screws. Attention to the direction.

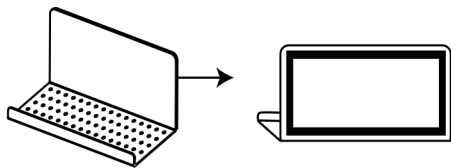


Chart14

Take out the protection film on the double adhesive tape.

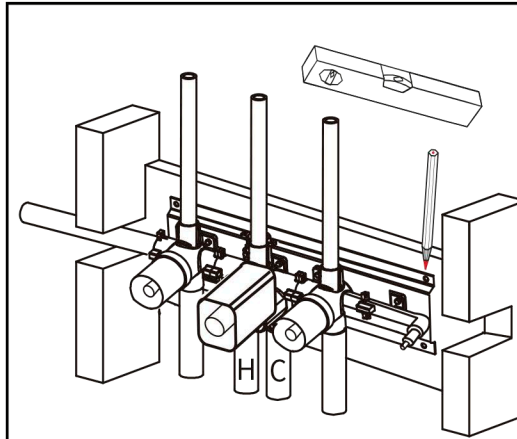


Chart4

Put the installation box on the wood plate. Measure the correct position with level and marks.

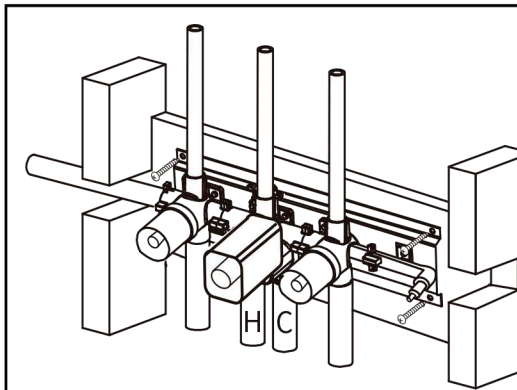


Chart5

Screw the installation box to the wood plate.

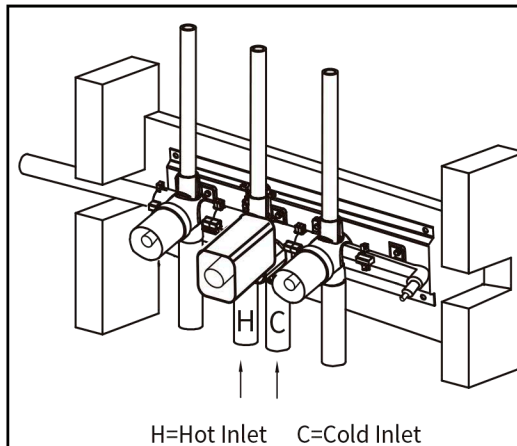


Chart6

Turn on water to test the leakage

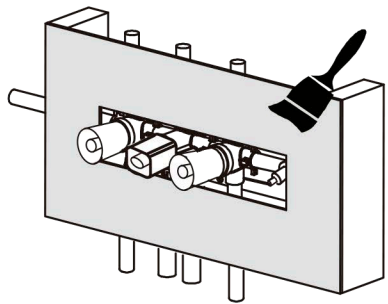


Chart7

Create a dry wall accordingly and brush with water proof glue and cement.
Attention: before dry wall and tile, please make sure all the chrome parts are well protected by the plastic covers.

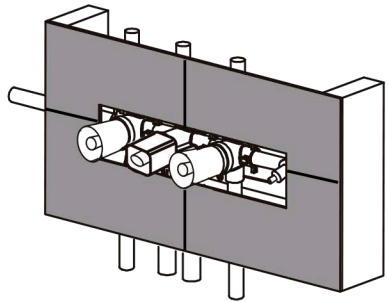


Chart8

Put the tiles accordingly.
(Make sure the surface is flat).

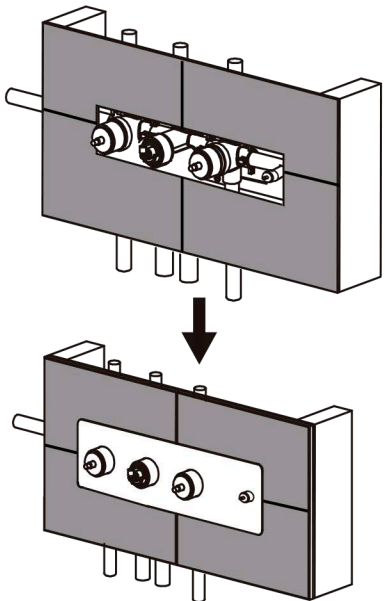


Chart9

Take out the handle protection cups and assemble the trims accordingly. Insert the decoration plate.

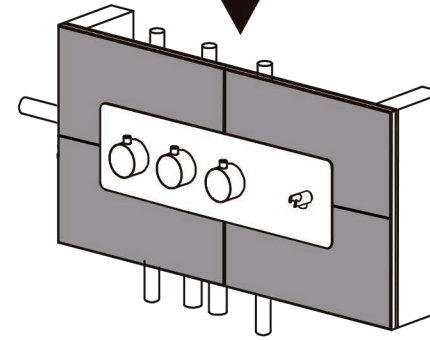
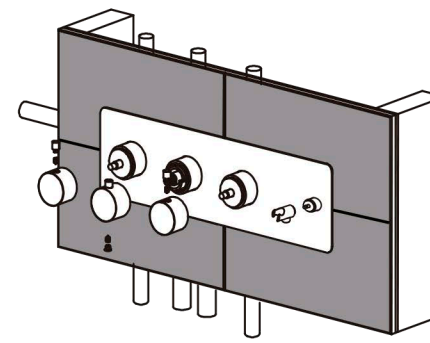


Chart10

Assemble all the handles and holder on and fixed with allen key.

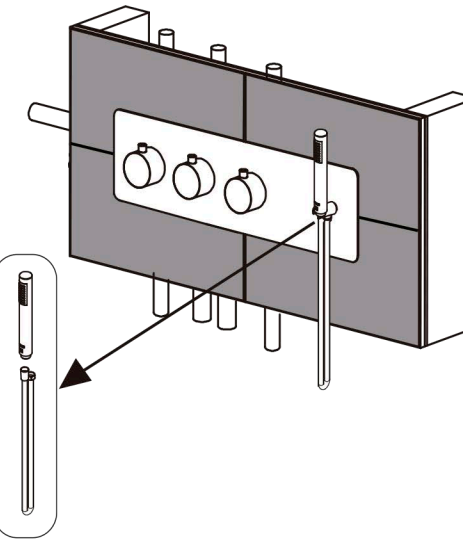


Chart11

Connect shower hose to the shower holder and hand shower. Don't forget to put rubber washers inside both connections.