



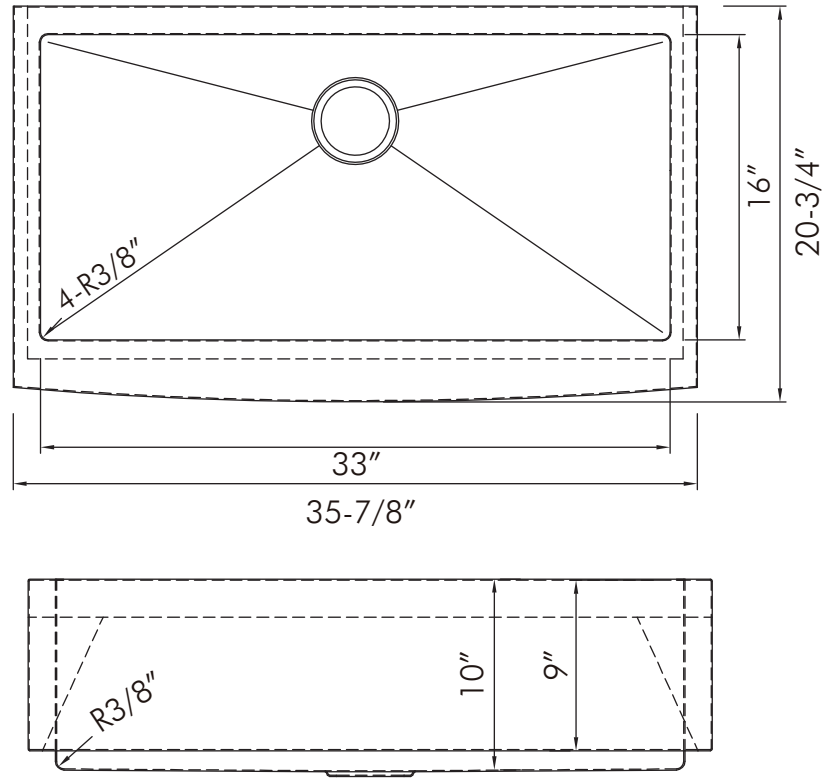
DAX-3621R10



FARMHOUSE KITCHEN SINKS **SERIES**



www.daxib.com



FEATURES

- Handmade sink
- 10 mm radius corner
- Undermount or overmount
- 304 Stainless Steel
- Apron: 16 gauge
- Bowl: 18 gauge
- Brushed Stainless Steel
- Size W 35-7/8" x H 20-3/4" x D 10"
- Standard 3-1/2" drain opening
- Undercoated and sound pads
- Mounting clips and cutting template

ACCESSORIES

- Bottom grid not included (available)
- Stainless steel basket strainer not included (available)
- Stainless steel standard strainer not included (available)
- Square stainless steel colander not included (available)
- Grey silicone dish rack included





KITCHEN SINK DAX-3621R10

MODEL	DAX-3621R10
INNER BASIN DEPTH (in)	9"
INNER BASIN WIDTH (in)	33"
INNER BASIN HEIGHT (in)	16"
HEIGHT	20-3/4"
DEPTH	10"
WIDTH	35-7/8"
DISH RACK INCLUDED	Yes
BASIN SPLIT	No
BASKET STRAINER INCLUDED	No
COLANDER INCLUDED	No
FARMHOUSE	Yes
FAUCET HOLES	No
GAUGE	Apron: 16 - Bowl: 18
INSTALLATION TYPE	Undermount or overmount
MATERIAL	304 stainless steel
MOUNTING HARDWARE INCLUDED	Yes
NUMBER OF BASINS	1
PRODUCT WEIGHT	62.0557 lb
SINK SHAPE	Rectangular
SOUND DAMPENING	Yes
STAINLESS STEEL GRADE	304
UPC APPROVED	No
SINK FINISH TYPE	Brushed

For parts or sale requirements please contact our customer service department:

 CS@daxib.com

 1 888 685 8236

