



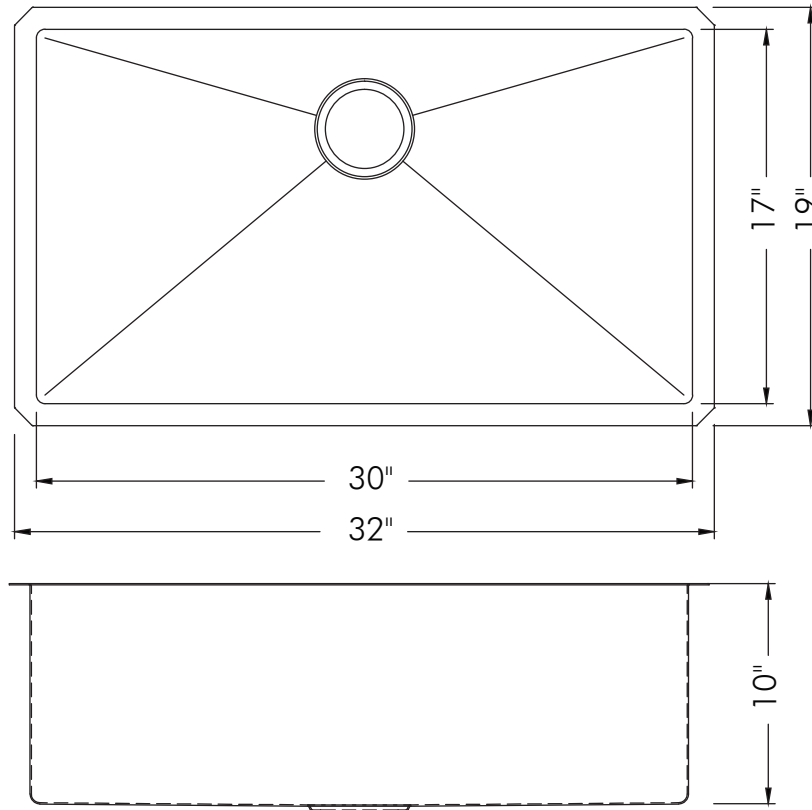
DAX-3219R10



UNDERMOUNT KITCHEN SINKS **SERIES**



www.daxib.com



FEATURES

- Handmade sink
- 10 mm radius corner
- Undermount
- 304 Stainless Steel
- 18 gauge
- Brushed Stainless Steel
- Size W 32" x H 19" x D 10"
- Standard 3-1/2" drain opening
- Undercoated and sound pads
- Mounting clips and cutting template

ACCESSORIES

- Bottom grid included
- Stainless steel basket strainer (1 pc included)
- Stainless steel standard strainer not included (available)
- Square stainless steel colander not included (available)
- Grey silicone dish rack included





KITCHEN SINK DAX-3219R10

MODEL	DAX-3219R10
INNER BASIN DEPTH (in)	X
INNER BASIN WIDTH (in)	30"
INNER BASIN HEIGHT (in)	17"
HEIGHT	19"
DEPTH	10"
WIDTH	32"
BASIN RACK INCLUDED	Yes
COLANDER INCLUDED	No
DRAIN CONNECTION	Yes
GAUGE	18
INSTALLATION TYPE	Undermount
MATERIAL	304 Stainless steel
MOUNTING HARDWARE INCLUDED	Yes
NUMBER OF BASINS	1
SINK SHAPE	Rectangular
SOUND DAMPENING	Yes
STAINLESS STEEL GRADE	304
UPC APPROVED	Yes
SINK FINISH TYPE	Brushed

For parts or sale requirements please contact our customer service department:

 CS@daxib.com

 1 888 685 8236

