

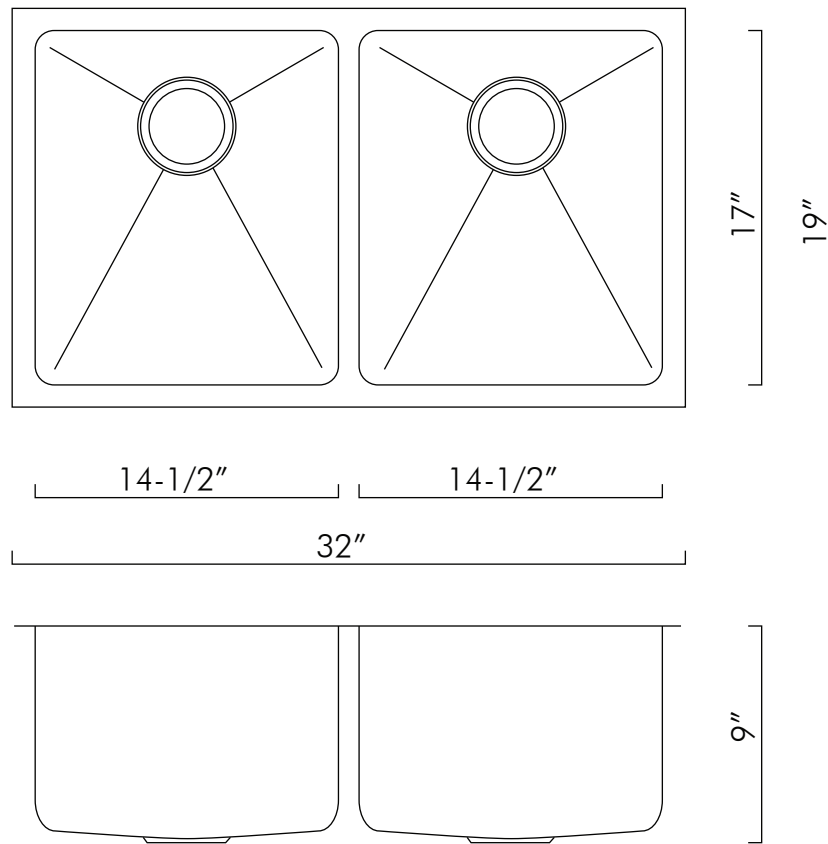


DAX-3118B



UNDERMOUNT KITCHEN SINKS **SERIES**





FEATURES

- Handmade sink
- 15 mm radius corner
- Undermount
- 304 Stainless Steel
- 18 gauge
- Brushed Stainless Steel
- Size W 32" x H 19" x D 9"
- Standard 3-1/2" drain opening
- Undercoated and sound pads
- Mounting clips and cutting template

ACCESSORIES

- Bottom grid included
- Stainless steel basket strainer (1 pc included)
- Stainless steel standard strainer not included (available)
- Round stainless steel colander included
- Square stainless steel colander not included (available)
- Grey silicone dish rack not included (available)





KITCHEN SINK **DAX-3118B**

INNER BASIN DEPTH (in)	X
INNER BASIN WIDTH (in)	14-1/2" - 14-1/2"
INNER BASIN HEIGHT (in)	17"
HEIGHT	19"
DEPTH	9"
WIDTH	32"
BOTTOM GRIDS INCLUDED	Yes
BASIN SPLIT	50/50
BASKET STRAINER INCLUDED	No
COLANDER INCLUDED	Yes
DRAIN CONNECTION	3-1/2"
DRAIN PLACEMENT ON LEFT INNER	Back
DRAIN PLACEMENT ON RIGHT INNER	Back
FARMHOUSE	No
FAUCET HOLES	No
GAUGE	18
INSTALLATION TYPE	Undermount
MATERIAL	304 Stainless Steel
MINIMUM CABINET SIZE	X
MOUNTING HARDWARE INCLUDED	Yes
NUMBER OF BASINS	2
SINK SHAPE	Rectangular
SOUND DAMPENING	Yes
STAINLESS STEEL GRADE	304
UPC APPROVED	Yes
SINK FINISH TYPE	Brushed

For parts or sale requirements please contact our customer service department:



CS@daxib.com



1 888 685 8236

