



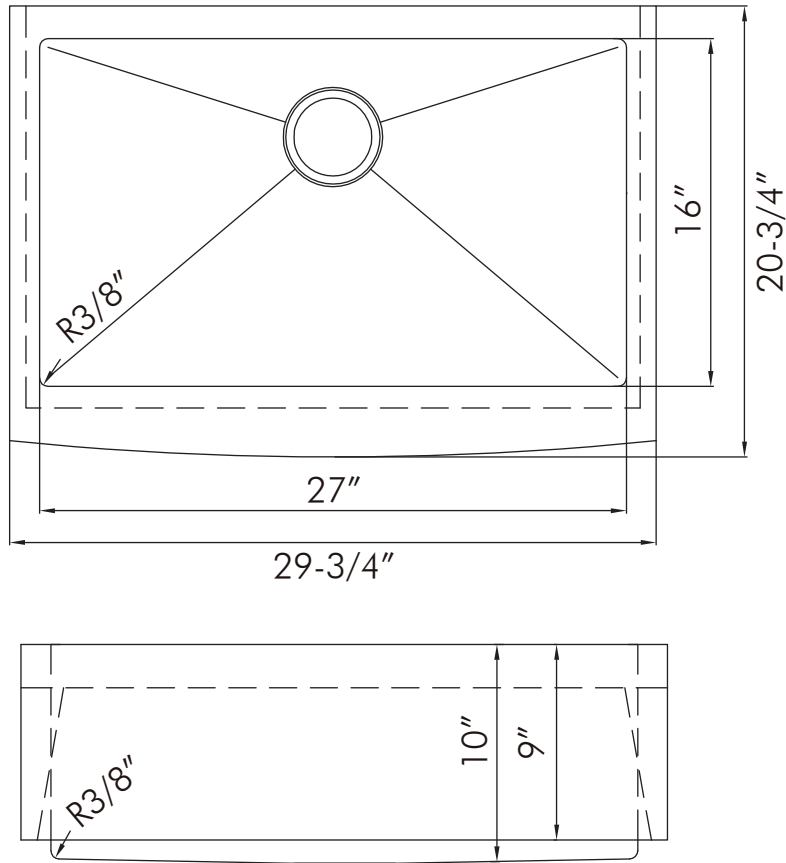
DAX-3021R10



FARMHOUSE KITCHEN SINKS **SERIES**



[www.daxib.com](http://www.daxib.com)



## FEATURES

- Handmade sink
- 10 mm radius corner
- Undermount or overmount
- 304 Stainless Steel
- Apron: 16 gauge
- Bowl: 18 gauge
- Brushed Stainless Steel
- Size W 29-3/4" x H 20-3/4" x D 10"
- Standard 3-1/2" drain opening
- Undercoated and sound pads
- Mounting clips and cutting template

## ACCESSORIES

- Bottom grid not included (available)
- Stainless steel basket strainer not included (available)
- Stainless steel standard strainer not included (available)
- Square stainless steel colander not included (available)
- Grey silicone dish rack included






**KITCHEN SINK DAX-3021R10**

MODEL	DAX-3021R10
INNER BASIN DEPTH (in)	9"
INNER BASIN WIDTH (in)	27"
INNER BASIN HEIGHT (in)	16"
HEIGHT	20-3/4"
DEPTH	10"
WIDTH	29-3/4"
BASIN RACK INCLUDED	Yes
BASKET STRAINER INCLUDED	No
COLANDER INCLUDED	No
DRAIN CONNECTION	Yes
GAUGE	Apron: 16   Bowl: 18
INSTALLATION TYPE	undermount or overmount
MATERIAL	stainless steel
MOUNTING HARDWARE INCLUDED	Yes
NUMBER OF BASINS	1
PRODUCT WEIGHT	62.0557 lb
SINK SHAPE	Rectangular
SOUND DAMPENING	Yes
STAINLESS STEEL GRADE	304 grade
UPC APPROVED	Yes
SINK FINISH TYPE	Brushed

For parts or sale requirements please contact our customer service department:

 [CS@daxib.com](mailto:CS@daxib.com)

 1 888 685 8236

