



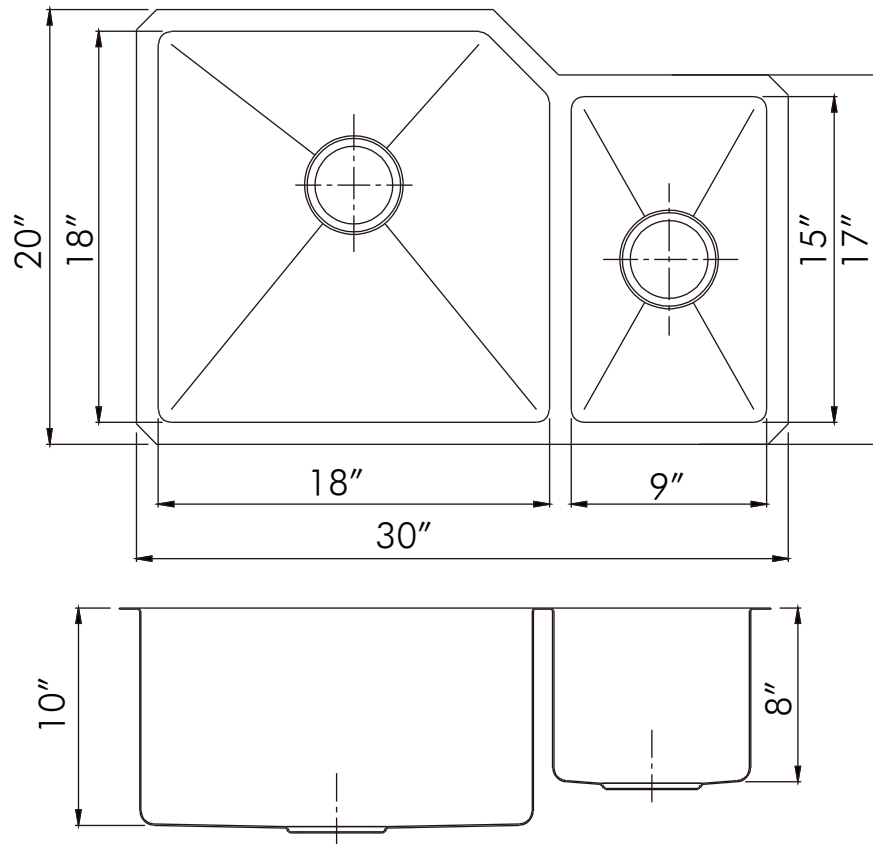
DAX-3020B



UNDERMOUNT KITCHEN SINKS **SERIES**



www.daxib.com



FEATURES

- Handmade sink
- 15 mm radius corner
- Undermount
- 304 Stainless Steel
- 16 gauge
- Brushed Stainless Steel
- Size W 30" x H 20" x D 10"
- Standard 3-1/2" drain opening
- Undercoated and sound pads
- Mounting clips and cutting template

ACCESSORIES

- Bottom grid included
- Stainless steel basket strainer (1 pc included)
- Stainless steel standard strainer not included (available)
- Round stainless steel colander included
- Square stainless steel colander not included (available)
- Grey silicone dish rack not included (available)





KITCHEN SINK **DAX-3020B**

MODEL	DAX-3020B
INNER BASIN DEPTH (in)	8"
INNER BASIN WIDTH (in)	18" - 9"
LEFT INNER BASIN HEIGHT (in)	18"
RIGHT INNER BASIN HEIGHT (in)	15"
HEIGHT	20"
DEPTH	10"
WIDTH	30"
BOTTOM GRIDS INCLUDED	No
BASIN SPLIT	60/40
BASKET STRAINER INCLUDED	Yes
COLANDER INCLUDED	Yes
DRAIN CONNECTION	3-1/2"
DRAIN PLACEMENT ON LEFT INNER	Center
DRAIN PLACEMENT ON RIGHT INNER	Center
FARMHOUSE	No
FAUCET HOLES	No
GAUGE	16
INSTALLATION TYPE	Undermount
MATERIAL	304 Stainless steel
MOUNTING HARDWARE INCLUDED	Yes
NUMBER OF BASINS	2
SINK SHAPE	Rectangular
SOUND DAMPENING	Yes
STAINLESS STEEL GRADE	304
UPC APPROVED	Yes
SINK FINISH TYPE	Brushed

For parts or sale requirements please contact our customer service department:



CS@daxib.com



1 888 685 8236

