



2510175



TOWEL BARS **SERIES**  
BY COSMIC

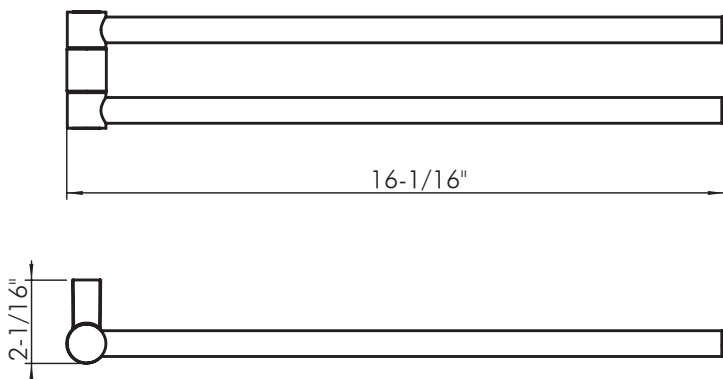


BY  
**COSMIC**

[www.daxib.com](http://www.daxib.com)



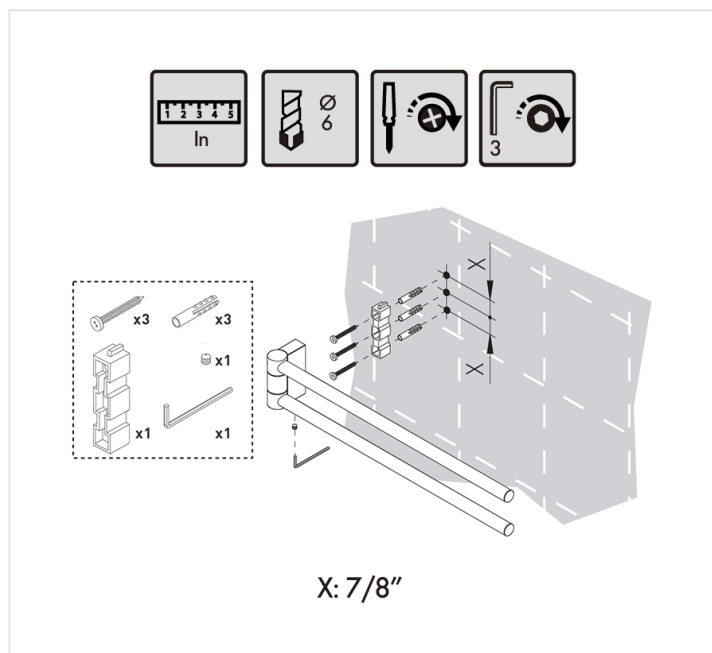
## MEASUREMENTS



## DIMENSIONS

$16-1/16'' \times 2-13/16'' \times 2-1/16''$

## INSTALLATION GUIDE



For parts or sale requirements please contact our customer service department:

 [CS@daxib.com](mailto:CS@daxib.com)

 1 888 685 8236

BY  
**COSMIC**