



2510168



BATHROOM SHELVES **SERIES**  
BY COSMIC

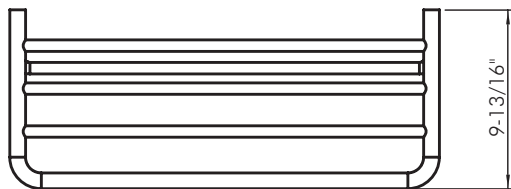
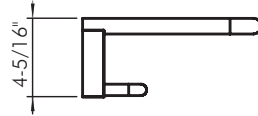
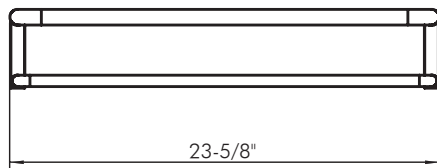


BY  
**COSMIC**

[www.daxib.com](http://www.daxib.com)



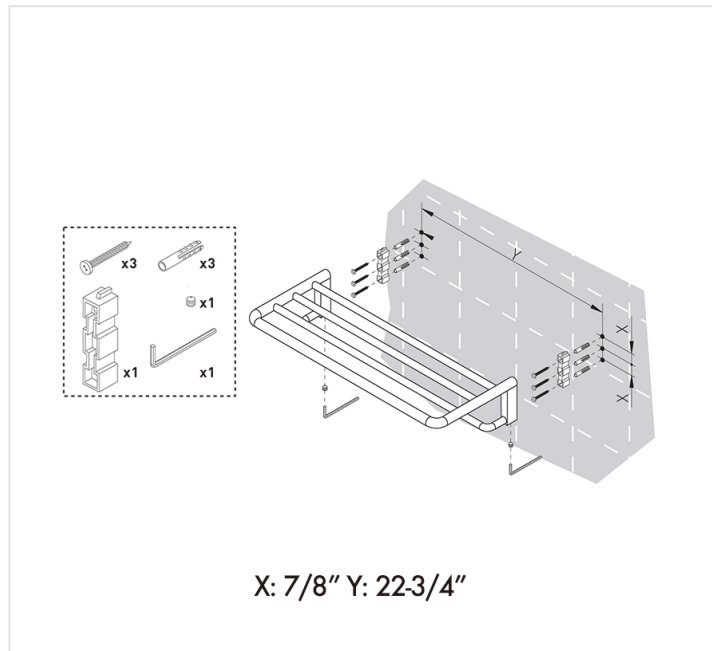
### MEASUREMENTS



### DIMENSIONS

23-5/8" x 4-5/16" x 9-13/16"

### INSTALLATION GUIDE



For parts or sale requirements please contact our customer service department:

 [CS@daxib.com](mailto:CS@daxib.com)

 1 888 685 8236

BY  
**COSMIC**