



DAX

2510167



TOWEL STANDS **SERIES**
BY COSMIC

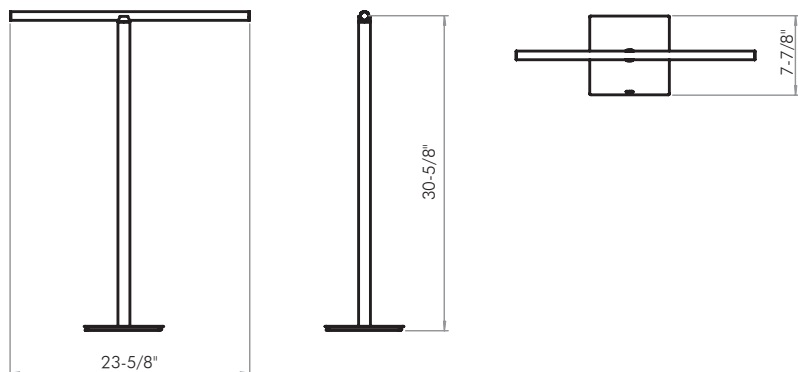


BY
COSMIC

www.daxib.com



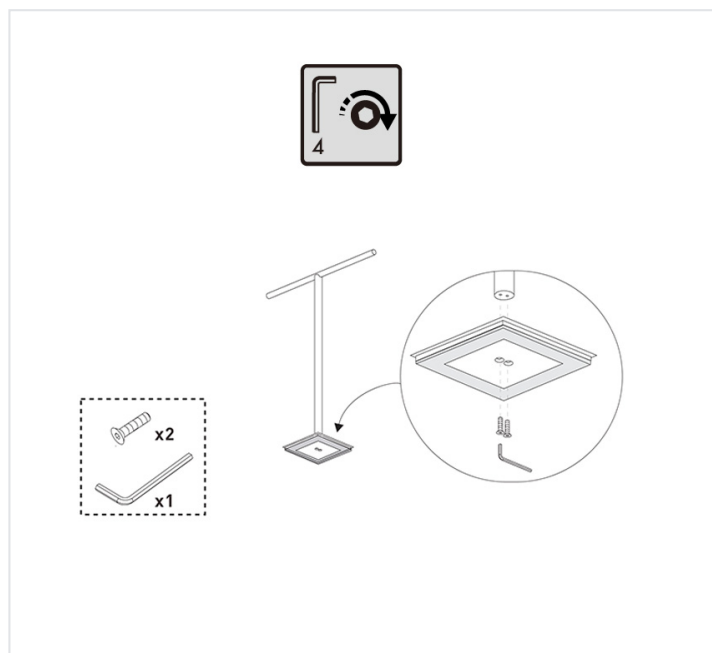
MEASUREMENTS



DIMENSIONS

23-5/8" x 30-5/8" x 7-7/8"

INSTALLATION GUIDE



For parts or sale requirements please contact our customer service department:

 CS@daxib.com

 1 888 685 8236

BY
COSMIC