



2510164

TOWEL BARS **SERIES**  
BY COSMIC

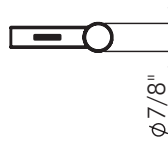
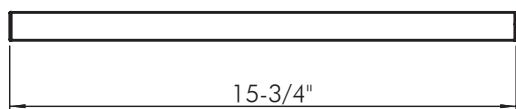


BY  
**COSMIC**

[www.daxib.com](http://www.daxib.com)



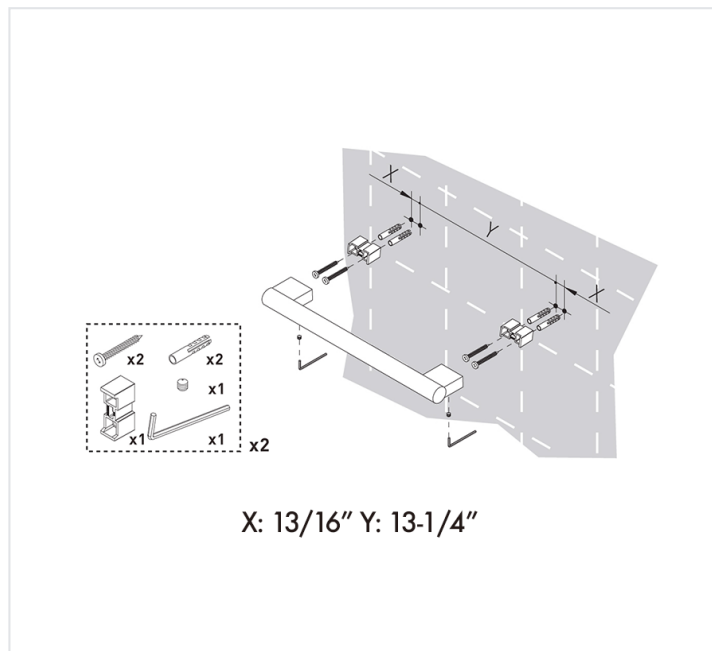
## MEASUREMENTS



## DIMENSIONS

15-3/4" x 7/8" x 3-1/8"

## INSTALLATION GUIDE



For parts or sale requirements  
please contact our customer service department:



CS@daxib.com



1 888 685 8236

BY  
COSMIC