



2510158



TOILET PAPER HOLDERS **SERIES**
BY COSMIC

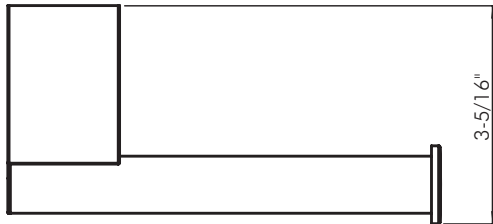
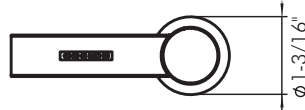
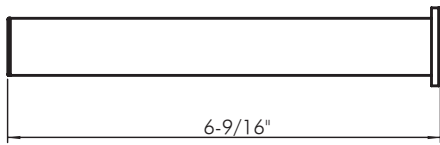


BY
COSMIC

www.daxib.com



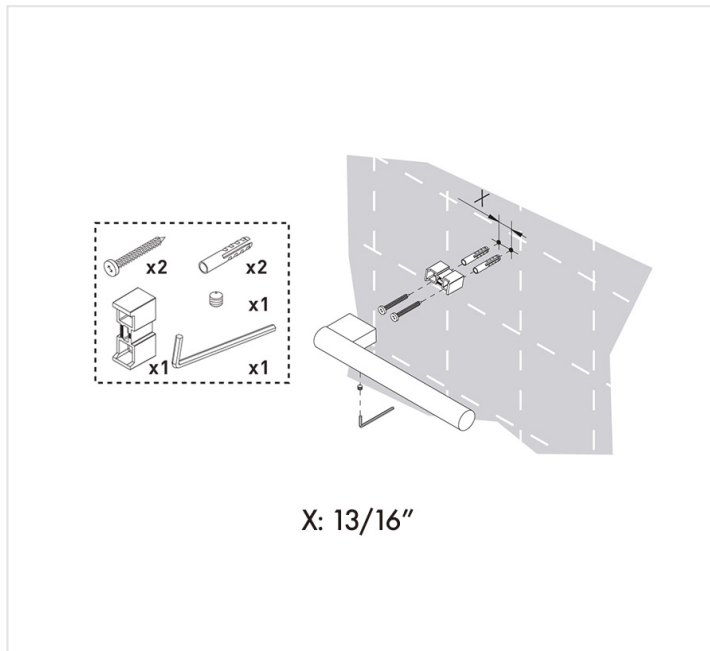
MEASUREMENTS



DIMENSIONS

6-9/16" x 1-3/16" x 3-5/16"

INSTALLATION GUIDE



For parts or sale requirements
please contact our customer service department:



CS@daxib.com



1 888 685 8236

BY
COSMIC