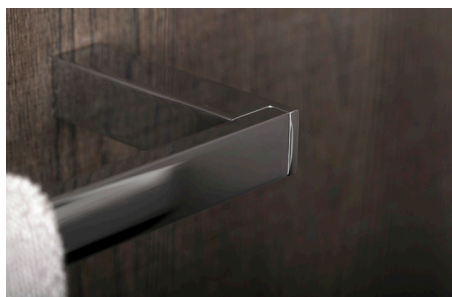




2290164



TOWEL BARS **SERIES**  
BY COSMIC

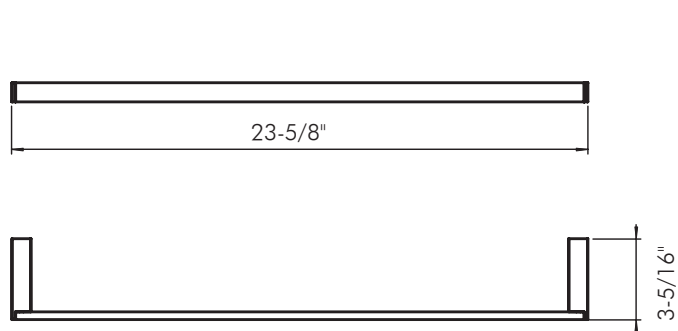


BY  
**COSMIC**

[www.daxib.com](http://www.daxib.com)



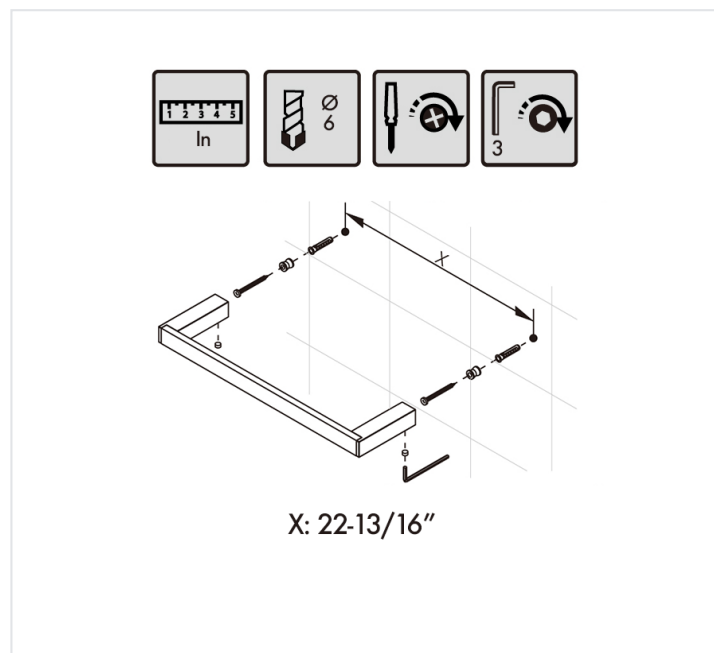
## MEASUREMENTS



## DIMENSIONS

$23\text{-}5/8'' \times 13/16'' \times 3\text{-}5/16''$

## INSTALLATION GUIDE



For parts or sale requirements  
please contact our customer service department:



[CS@daxib.com](mailto:CS@daxib.com)



1 888 685 8236

BY  
**COSMIC**