



2050158



TOILET PAPER HOLDERS **SERIES**  
BY COSMIC

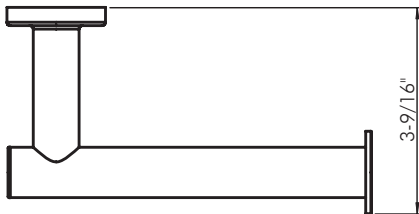
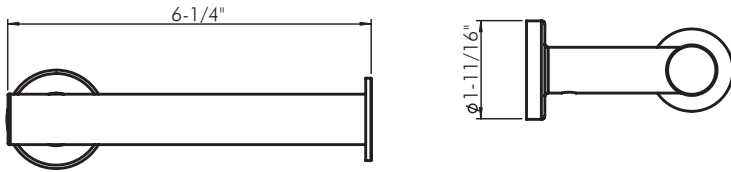


BY  
**COSMIC**

[www.daxib.com](http://www.daxib.com)



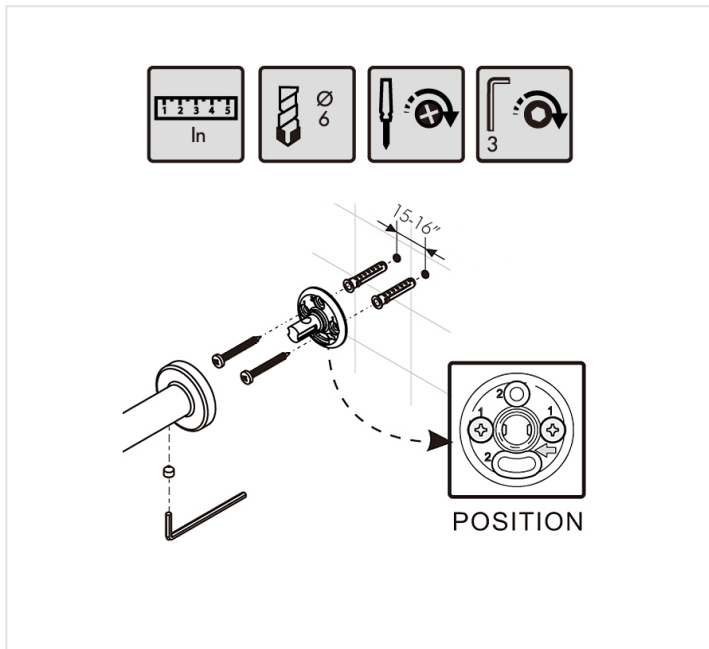
## MEASUREMENTS



## DIMENSIONS

6-1/4" x 1-11/16" x 3-9/16"

## INSTALLATION GUIDE



For parts or sale requirements please contact our customer service department:

 [CS@daxib.com](mailto:CS@daxib.com)

 1 888 685 8236

BY  
**COSMIC**