

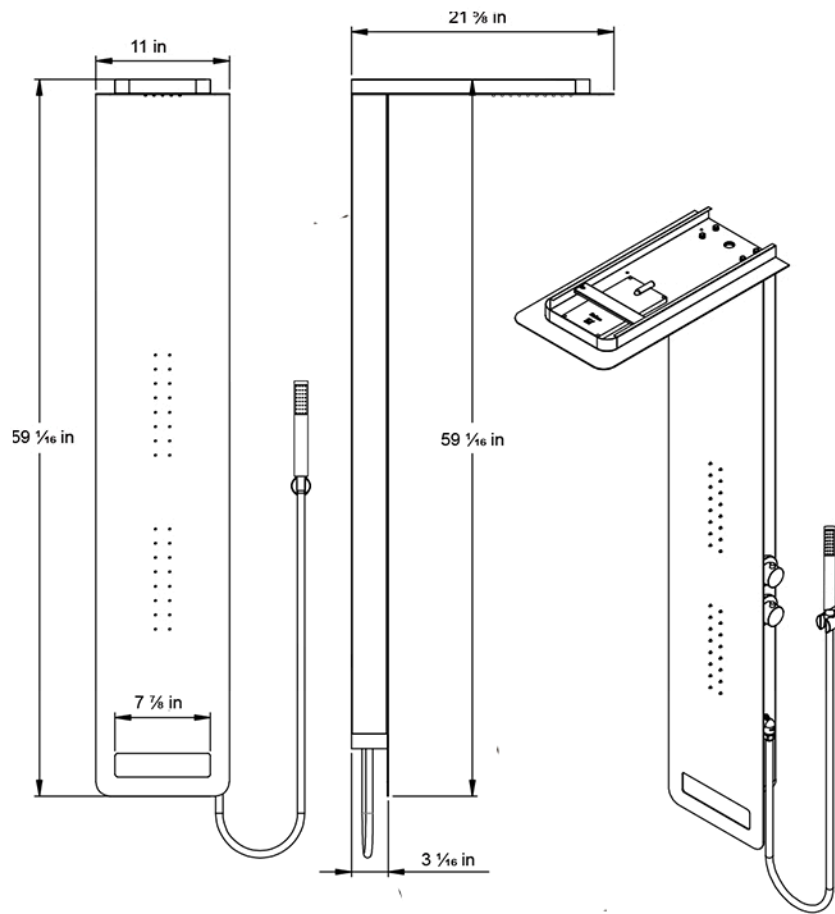


DAX-184T



SHOWER PANELS **SERIES**





## FEATURES

- Shower Panel
- Thermostatic Mixer
- Body Jets
- Hand Shower
- Brushed Stainless Steel







SHOWER PANEL **DAX-184T**

MODEL	DAX-184T
ADA	No
UPC APPROVED	Yes
ANSI APPROVED	No
ASME APPROVED	No
BODYSPRAYS INCLUDED	Yes
NUMBER OF BODYSPRAYS	2
HAND SHOWER FLOW RATE (GPM)	2.5
SHOWER HEAD FLOW RATE (GPM)	2.5
ROUGH-IN VALVE FLOW RATE (GPM)	3.5
HANDLE MATERIAL	ABS
HANDLE STYLE	Wall mounted
HAND SHOWER INCLUDED	Yes
HAND SHOWER HOSE INCLUDED	Yes
HAND SHOWER HOSE LENGTH	1.5M
INSTALLATION TYPE	Wall Mounted
MATERIAL	Stainless Steel 304
PRESSURE BALANCE	No
SCALD GUARD	Yes
SHOWER ARM REACH	No
SHOWER HEAD	Yes
SHOWER HEAD HEIGHT	2.2M
SHOWER HEAD SHAPE	Rectangular
SHOWER HEAD WIDTH	11"
SLIDE BAR INCLUDED	No
SPRAY PATTERN	Rain, Body spray & Hand shower
THERMOSTATIC	Yes
VALVE TYPE	Thermostatic
WATER EFFICIENT	Yes
WATERSENSE CERTIFIED	No
WALL ELBOW DIMENSION	1/2" female
FINISH	Matte White

For parts or sale requirements please contact our customer service department:

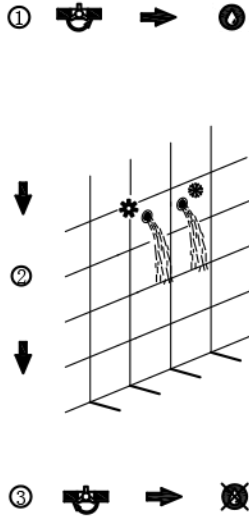
 [CS@daxib.com](mailto:CS@daxib.com)

 1 888 685 8236

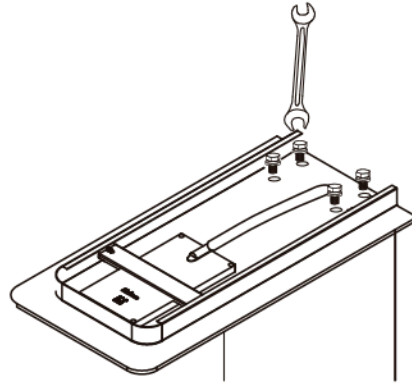




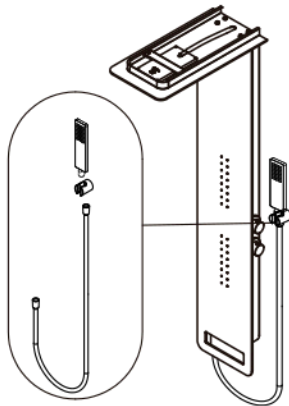
01



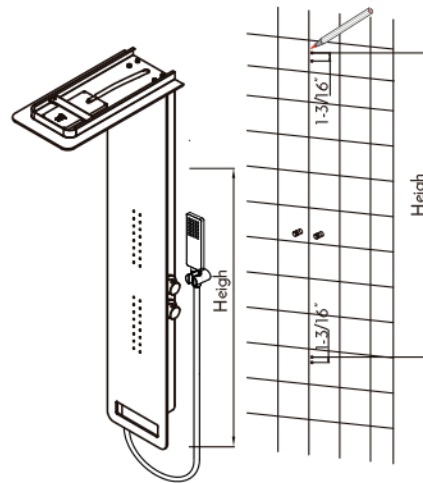
02



03

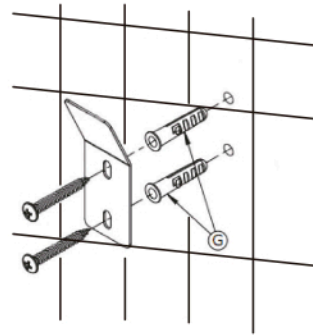
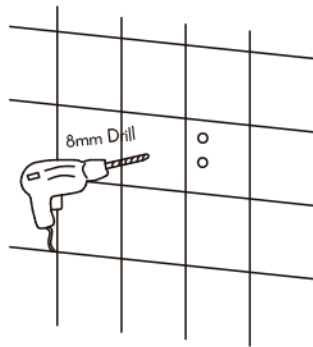


04

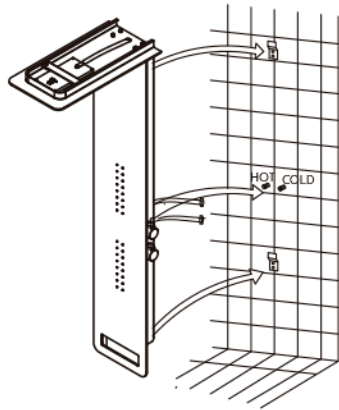




05



06



07

