

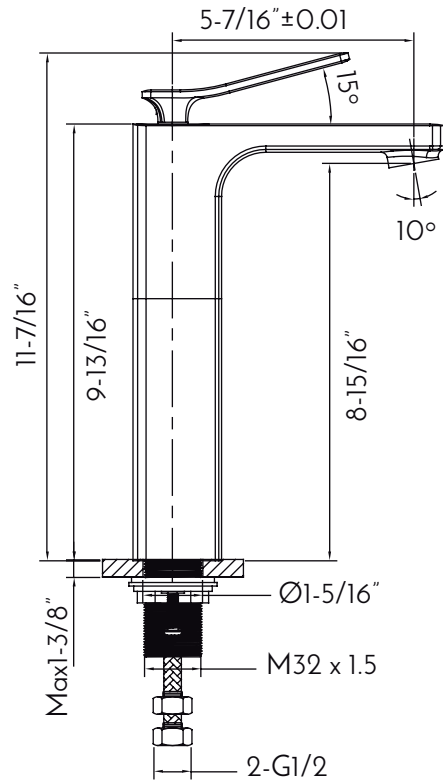


DAX-1295-BN



BATHROOM FAUCETS SERIES





FEATURES

- Single lever
- Vessel installation
- Ceramic cartridge
- Brass body
- Flow rate 3.2 GPM
- Installation hole 1-3/8"
- Hoses and mounting parts included
- Pop up drain not included (available)
- Brushed nickel finish





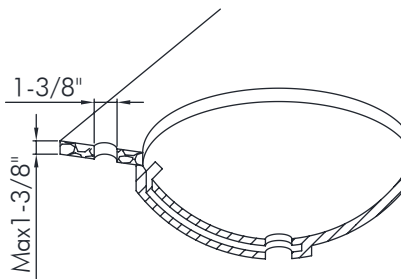
BATHROOM FAUCET **DAX-1295-BN**

MODEL	DAX-1295-BN
ADA	NO
UPC APPROVED	NO
ANSI APPROVED	NO
ASME APPROVED	NO
WATERSENSE CERTIFIED	NO
NSF APPROVED	NO
CONNECTION SIZE	G3/8
FAUCET HOLE SIZE	1-5/16"
FAUCETS HOLE	Single hole
FAUCET TYPE	High Basin Mixer
FLOW RATE (GPM)	3.2 GPM
HANDLE STYLE	Single lever
NUMBER OF HANDLES	1
HEIGHT	11-7/16"
HOSE LENGTH	23-5/8"
INSTALLATION TYPE	Desk-mounted
MATERIAL	Brass body + zinc handle
FINISH	Brushed nickel
SPOUT HEIGHT	8-15/16"
SPOUT REACH	5-7/16"
SPOUT SWIVEL	NO
SPOUT TYPE	Casting spout
CARTRIDGE TYPE	Ceramic
POP-IP INCLUDED	NO
MAX DECK THICKNESS	1-3/8"

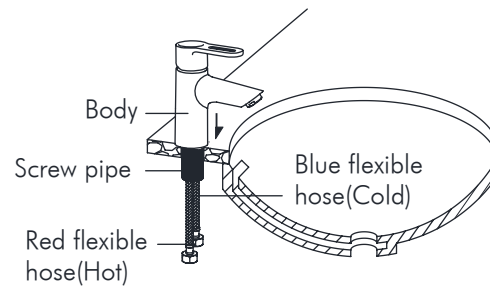




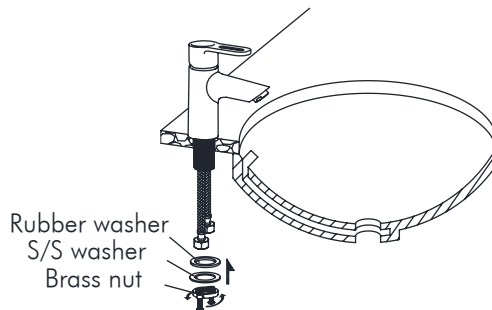
01



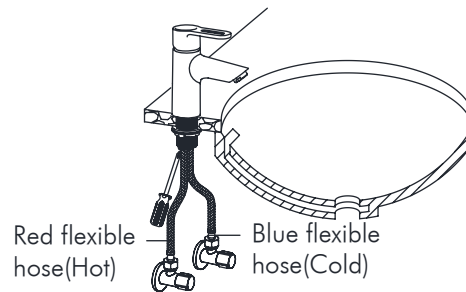
02



03



04

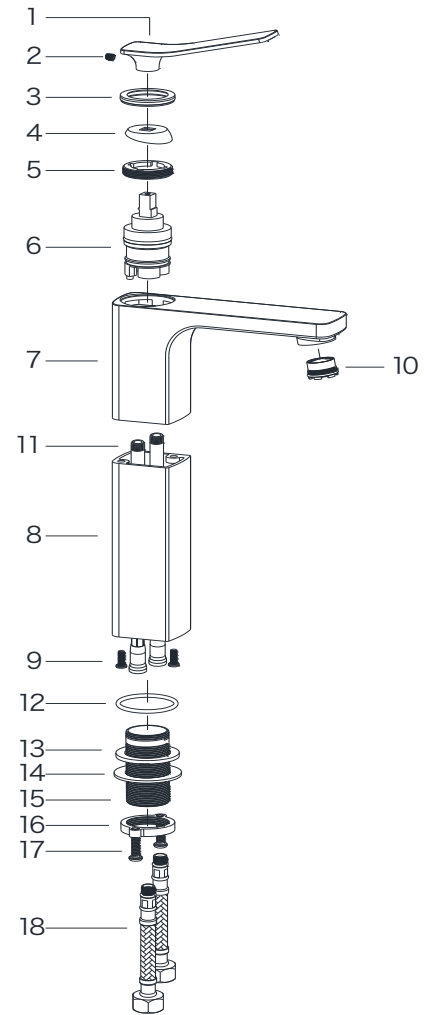


INSTALLATION STEPS

1. Ensure there is a through-hole (35mm) on the basin, the max thickness of basin is 35mm.
2. Put the body into the hole.
3. Use the fixing assembly (rubber washer, stainless steel washer and nut) to fix the faucet on the basin, and tighten the screw.
4. Connect the blue flexible hose to cold angle valve and the red flexible hose to the hot. Turn on the stop angle valve and mixer switch to check the tightness of each connection. If no leaking, installation is finished.



DIAGRAM NUMBER	DAX SKU	TITLE DESCRIPTION
1	09165	95 Handle
2	13021	Screw
3	07146	1095 Handle cover
4	07145	1095 Decorative cover
5	06282	1095 Nut
6	11084	1-3/8" high base cartridge
7	04375	1295 Body
8	05236	1295 Body extension
9	13001	Screw
10	06334	Hidden aerator
11	06420	Extension tube
12	12329	O-ring
13	12256	Rubber washer
14	06336	Stainless steel washer
15	06456	Bottom tube
16	06457	Bottom tube nut
17	13044	Screw
18	08259	Hose



For parts or sale requirements please contact our customer service department:

 CS@daxib.com

 1 888 685 8236