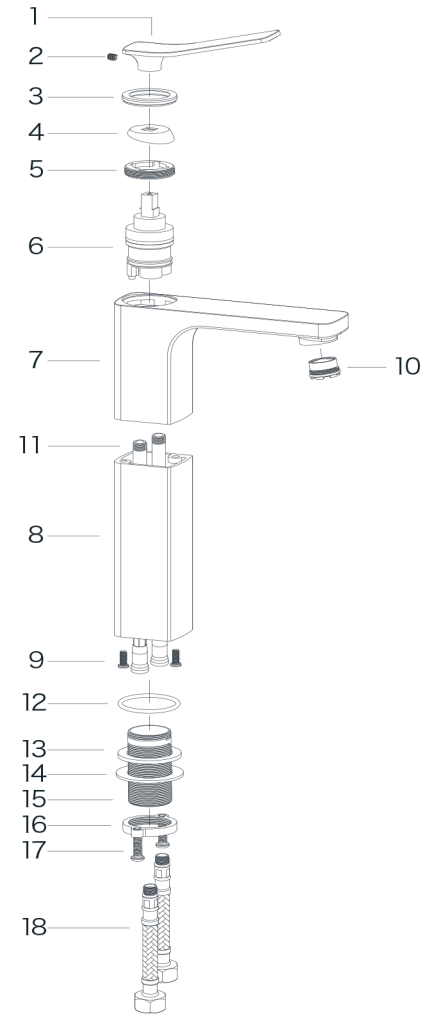




DIAGRAM NUMBER	DAX SKU	TITLE DESCRIPTION
1	09165-BN	95 Handle
2	13021	Screw
3	07146	1095 Handle cover
4	07145-BN	1095 Decorative cover
5	06282	1095 Nut
6	11084	1-3/8" high base cartridge
7	04375-BN	1295 Body
8	05236-BN	1295 Body extension
9	13001	Screw
10	06334	Hidden aerator
11	06420	Extension tube
12	12329	O-ring
13	12256	Rubber washer
14	06336	Stainless steel washer
15	06456	Bottom tube
16	06457	Bottom tube nut
17	13044	Screw
18	08259	Hose



For parts or sale requirements please contact our customer service department:

 CS@daxib.com

 1 888 685 8236