

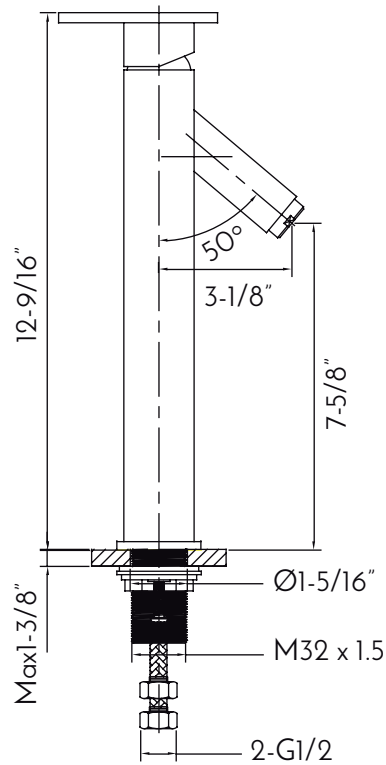


DAX-1282-BN



BATHROOM FAUCETS SERIES





## FEATURES

- Single Lever
- Vessel installation
- Ceramic cartridge
- Brass body
- Flow rate 3.2 GPM
- Installation hole 1-3/8"
- Hoses and mounting parts included
- Pop up drain not included (available)
- Brushed nickel finish





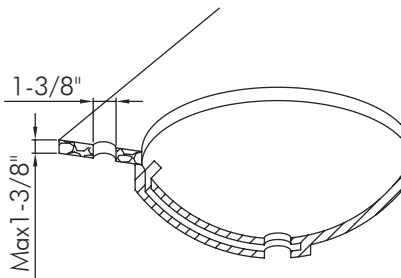
BATHROOM FAUCET **DAX-1282-BN**

MODEL	DAX-1282-BN
ADA	NO
UPC APPROVED	NO
ANSI APPROVED	NO
ASME APPROVED	NO
WATERSENSE CERTIFIED	NO
NSF APPROVED	NO
CONNECTION SIZE	G3/8
FAUCET HOLE SIZE	1-5/16"
FAUCETS HOLE	Single hole
FAUCET TYPE	High Basin Mixer
FLOW RATE (GPM)	3.2 GPM
HANDLE STYLE	Single lever
NUMBER OF HANDLES	1
HEIGHT	12-9/16"
HOSE LENGTH	23-5/8"
INSTALLATION TYPE	Deck-mounted
MATERIAL	Brass body + zinc handle
FINISH	Brushed nickel
SPOUT HEIGHT	7-5/8"
SPOUT REACH	3-1/8"
SPOUT SWIVEL	NO
SPOUT TYPE	Casting spout
CARTRIDGE TYPE	Ceramic
POP-IP INCLUDED	NO
MAX DECK THICKNESS	1-3/8"

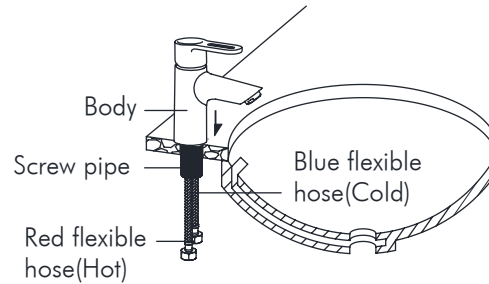




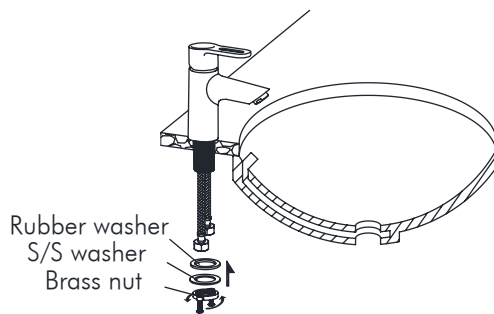
01



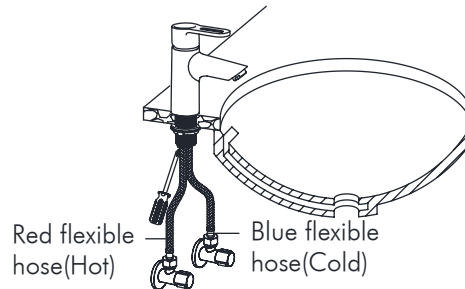
02



03



04

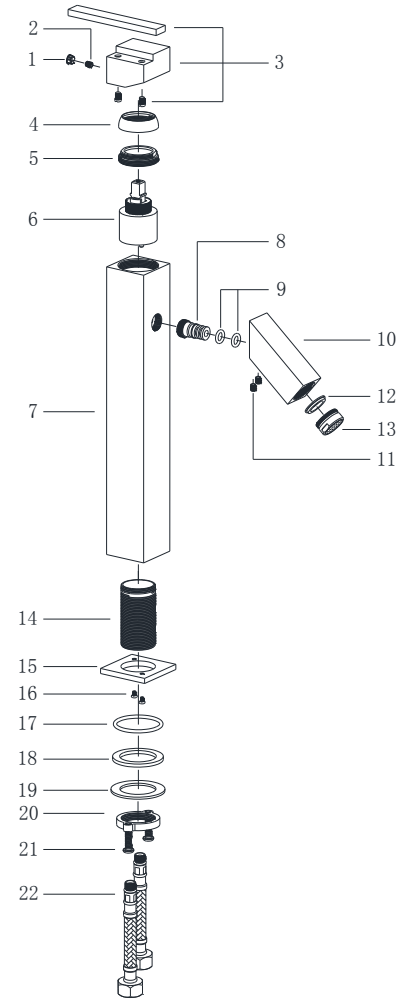


### INSTALLATION STEPS

1. Ensure there is a through-hole (35mm) on the basin, the max thickness of basin is 35mm.
2. Put the body into the hole.
3. Use the fixing assembly (rubber washer, stainless steel washer and nut) to fix the faucet on the basin, and tighten the screw.
4. Connect the blue flexible hose to cold angle valve and the red flexible hose to the hot. Turn on the stop angle valve and mixer switch to check the tightness of each connection. If no leaking, installation is finished.



DIAGRAM NUMBER	DAX SKU	TITLE DESCRIPTION
1	12281	Silica gel buttom
2	13040	Screw
3	09151	82 Handle
4	07113	Handle cover
5	06191	Cartridge nut
6	11089	Cartridge
7	04276	1282 Body
8	06227	1282 adaptor
9	12089	O-ring
10	05148	1282 Spout
11	13040	screw
12	12011	O-ring
13	06471	Aerator
14	06456	Button tub
15	07047	1059 decorate cup
16	13009	Screw
17	12014	O-ring
18	12256	Rubber washer
19	06336	Stainless steel washer
20	06457	Button tub nut
21	13044	Screw
22	08109	Hose



For parts or sale requirements please contact our customer service department:

 [CS@daxib.com](mailto:CS@daxib.com)

 1 888 685 8236