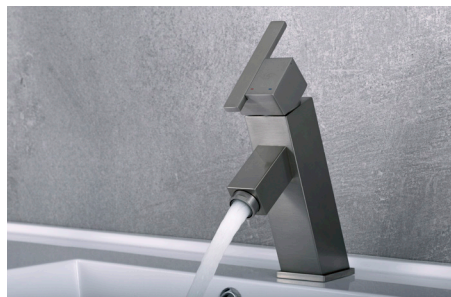


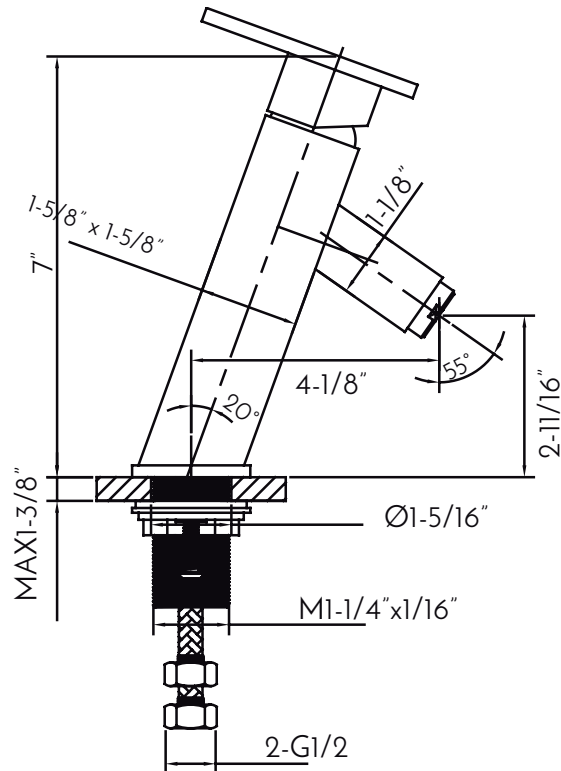


DAX-1082-BN



BATHROOM FAUCETS SERIES





## FEATURES

- Single lever
- Ceramic cartridge
- Brass body
- Flow rate 3.2 GPM
- Installation hole 1-3/8"
- Hoses and mounting parts included
- Pop up drain not included (available)
- Brushed nickel finish





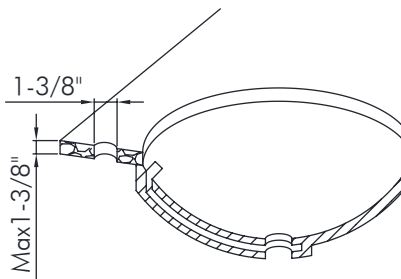
BATHROOM FAUCET **DAX-1082-BN**

| MODEL                | DAX-1082-BN              |
|----------------------|--------------------------|
| ADA                  | NO                       |
| UPC APPROVED         | NO                       |
| ANSI APPROVED        | NO                       |
| ASME APPROVED        | NO                       |
| WATERSENSE CERTIFIED | NO                       |
| NSF APPROVED         | NO                       |
| CONNECTION SIZE      | G3/8                     |
| FAUCET HOLE SIZE     | 1-5/16"                  |
| FAUCETS HOLE         | Single hole              |
| FAUCET TYPE          | Basin Mixer              |
| FLOW RATE (GPM)      | 10-12 Litre              |
| HANDLE STYLE         | Single lever             |
| NUMBER OF HANDLES    | 1                        |
| HEIGHT               | 7"                       |
| HOSE LENGTH          | 23-5/8"                  |
| INSTALLATION TYPE    | Desk-mounted             |
| MATERIAL             | Brass body + zinc handle |
| FINISH               | Brushed nickel           |
| SIDESPRAY            | 20 Degree                |
| SPOUT HEIGHT         | 2-11/16"                 |
| SPOUT REACH          | 4-1/8"                   |
| SPOUT SWIVEL         | NO                       |
| SPOUT TYPE           | Casting spout            |
| CARTRIDGE TYPE       | Ceramic                  |
| POP-IP INCLUDED      | NO                       |
| MAX DECK THICKNESS   | 1-3/8"                   |

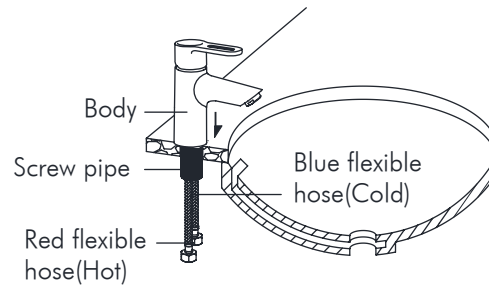




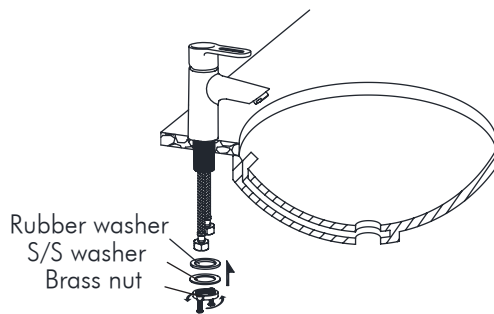
01



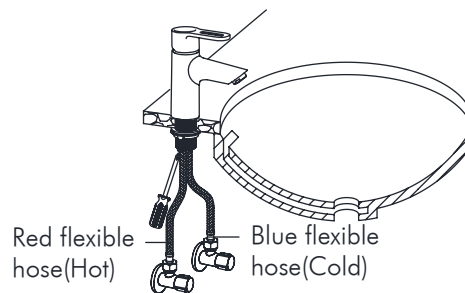
02



03



04

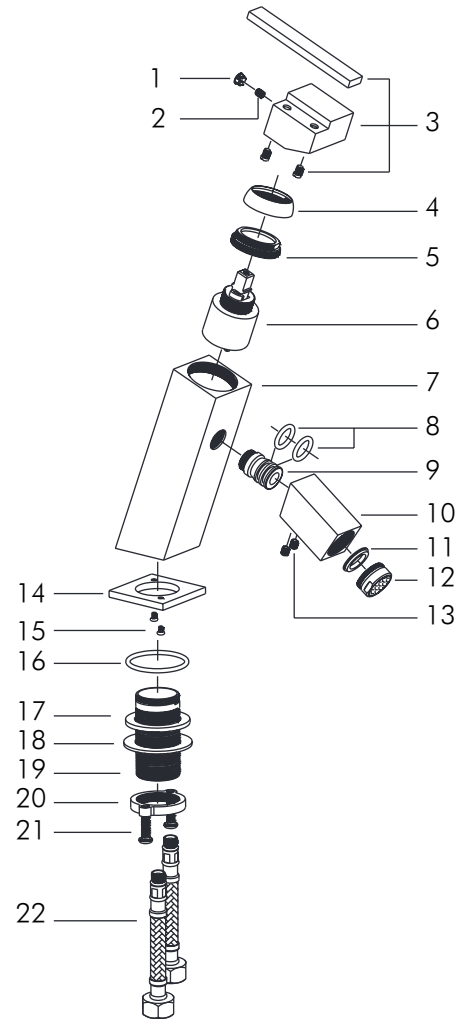


### INSTALLATION STEPS

1. Ensure there is a through-hole (35mm) on the basin, the max thickness of basin is 35mm.
2. Put the body into the hole.
3. Use the fixing assembly (rubber washer, stainless steel washer and nut) to fix the faucet on the basin, and tighten the screw.
4. Connect the blue flexible hose to cold angle valve and the red flexible hose to the hot. Turn on the stop angle valve and mixer switch to check the tightness of each connection. If no leaking, installation is finished.



| DIAGRAM NUMBER | DAX SKU | TITLE DESCRIPTION      |
|----------------|---------|------------------------|
| 1              | 12281   | Silica gel buttom      |
| 2              | 13040   | Screw                  |
| 3              | 09151   | 82 Handle              |
| 4              | 07113   | Handle cover           |
| 5              | 06191   | Cartridge nut          |
| 6              | 11089   | Cartridge              |
| 7              | 04275   | 1082 Body              |
| 8              | 12020   | O-ring                 |
| 9              | 06006   | 1059 adaptor           |
| 10             | 05147   | 1082 Spout             |
| 11             | 12011   | O-ring                 |
| 12             | 06471   | Aerator                |
| 13             | 13015   | Screw                  |
| 14             | 07047   | 1059 decorate cup      |
| 15             | 13009   | Screw                  |
| 16             | 12014   | O-ring                 |
| 17             | 12256   | Rubber washer          |
| 18             | 06336   | Stainless steel washer |
| 19             | 06456   | Button tub             |
| 20             | 06457   | Button tub nut         |
| 21             | 13044   | Screw                  |
| 22             | 08109   | Hose                   |



For parts or sale requirements please contact our customer service department:

 [CS@daxib.com](mailto:CS@daxib.com)

 1 888 685 8236