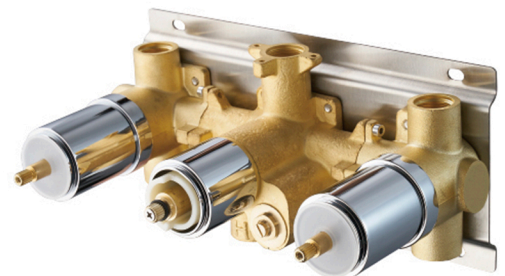




DAX-1058-RD-CR



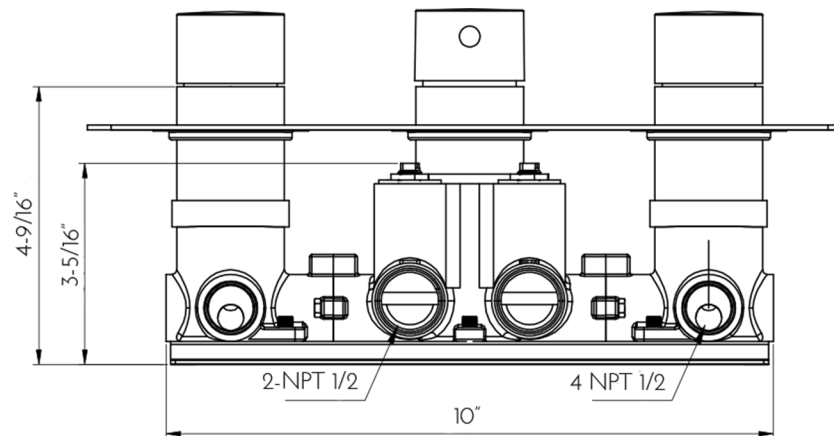
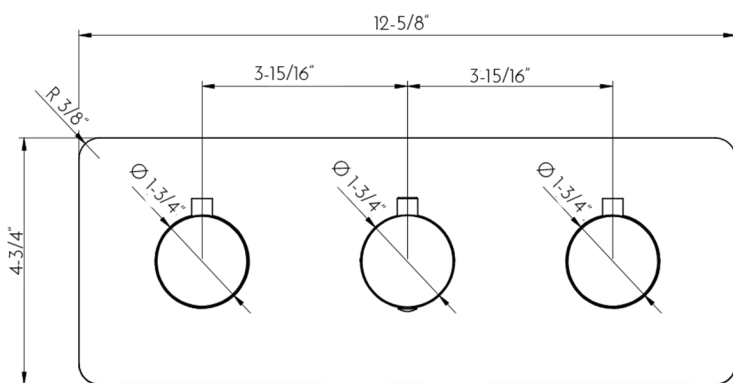
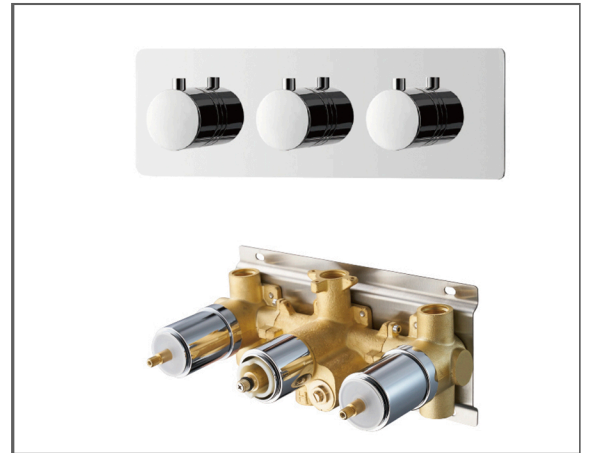
SHOWER VALVES SERIES





FEATURES

- Concealed Thermostatic Mixer with 4 Functions
- Brass Body
- 304 Stainless Steel Round Trim
- UPC Approved
- Round Handles
- Allow 2 functions work together





SHOWER VALVE DAX-1058-RD-CR

| MODEL | DAX-1058-RD-CR |
|--------------------------------|-----------------------------|
| UPC APPROVED | Yes |
| ANSI APPROVED | No |
| ASME APPROVED | No |
| BODYSPRAYS INCLUDED | No |
| ROUGH-IN VALVE FLOW RATE (GPM) | 8 |
| HAND SHOWER INCLUDED | No |
| HAND SHOWER HOSE INCLUDED | No |
| INSTALLATION TYPE | Wall Mounted |
| MATERIAL OF TRIM KIT | Brass & Stainless steel 304 |
| PRESSURE BALANCE | No |
| SCAL GUARD | No |
| SHOWER ARM REACH | No |
| SHOWER ARM CONNECTION SIZE | NPT 3/4" & 1/2" |
| SHOWER HEAD | No |
| THERMOSTATIC | Yes |
| WATERSENSE CERTIFIED | No |
| WALL ELBOW DIMMENSION | NPT 3/4" & 1/2" |
| FINISH | Chrome |

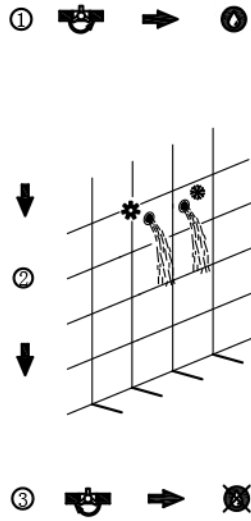
For parts or sale requirements please contact our customer service department:

 CS@daxib.com

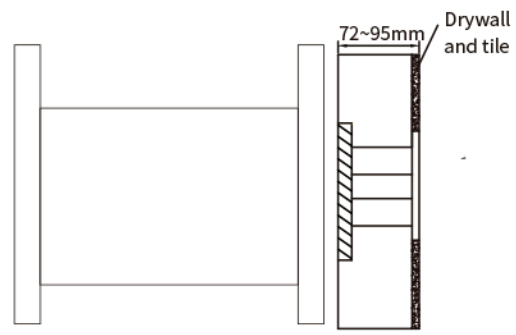
 1 888 685 8236



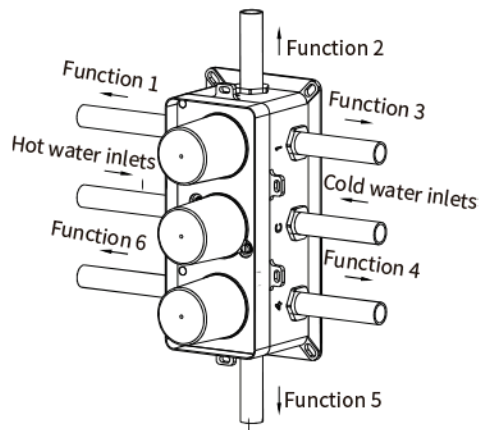
01



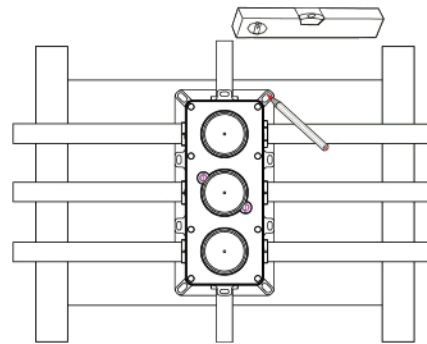
02



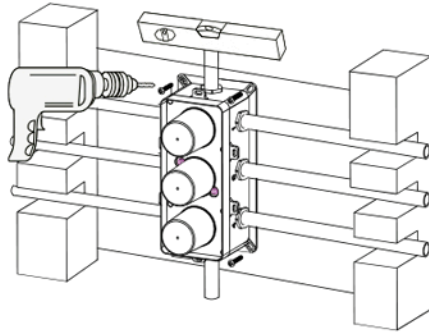
03



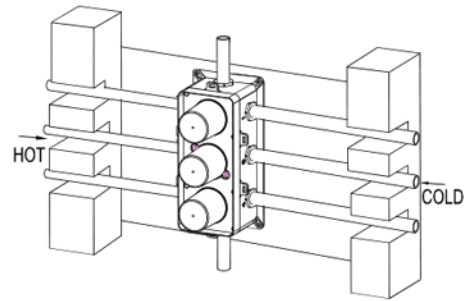
04



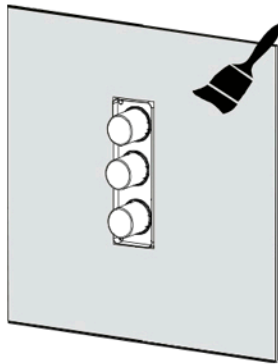
05



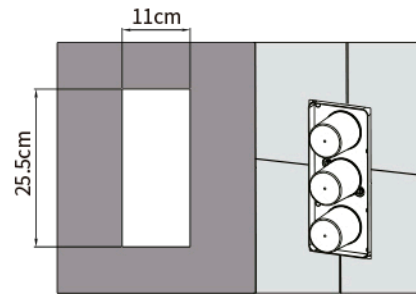
06



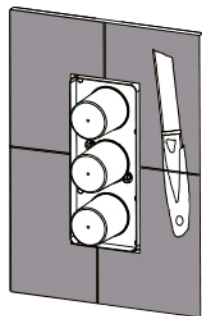
07



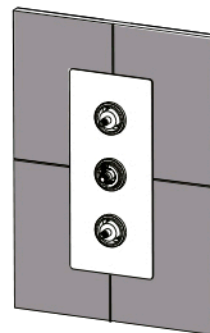
08



09



10





11

