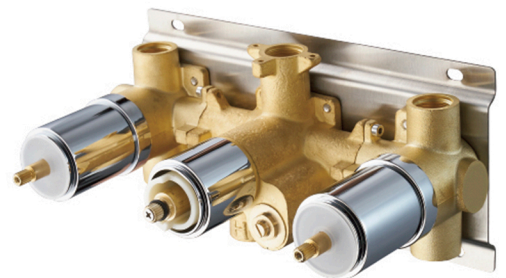




DAX-1058-RD-BN



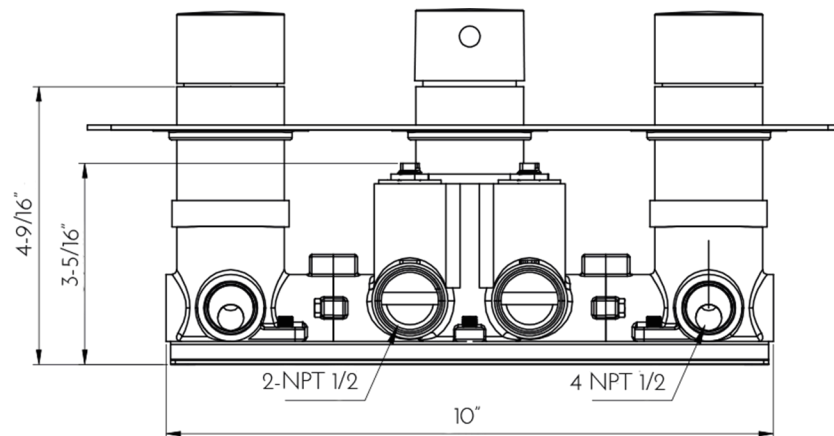
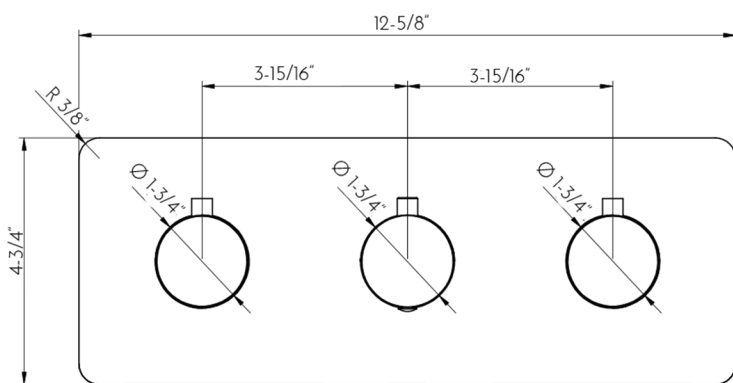
SHOWER VALVES SERIES





FEATURES

- Concealed Thermostatic Mixer with 4 Functions
- Brass Body
- 304 Stainless Steel Round Trim
- UPC Approved
- Round Handles
- Allow 2 functions work together





SHOWER VALVE DAX-1058-RD-BN

MODEL	DAX-1058-RD-BN
UPC APPROVED	Yes
ANSI APPROVED	No
ASME APPROVED	No
BODYSPRAYS INCLUDED	No
ROUGH-IN VALVE FLOW RATE (GPM)	8
HAND SHOWER INCLUDED	No
HAND SHOWER HOSE INCLUDED	No
INSTALLATION TYPE	Wall Mounted
MATERIAL OF TRIM KIT	Brass & Stainless steel 304
PRESSURE BALANCE	No
SCAL GUARD	No
SHOWER ARM REACH	No
SHOWER ARM CONNECTION SIZE	NPT 3/4" & 1/2"
SHOWER HEAD	No
THERMOSTATIC	Yes
WATERSENSE CERTIFIED	No
WALL ELBOW DIMMENSION	NPT 3/4" & 1/2"
FINISH	Brushed Nickel

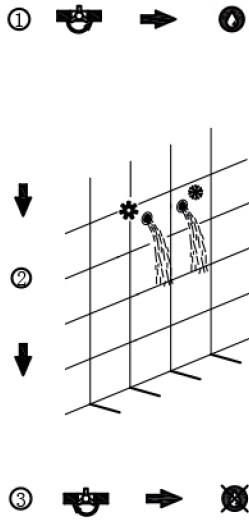
For parts or sale requirements please contact our customer service department:

 CS@daxib.com

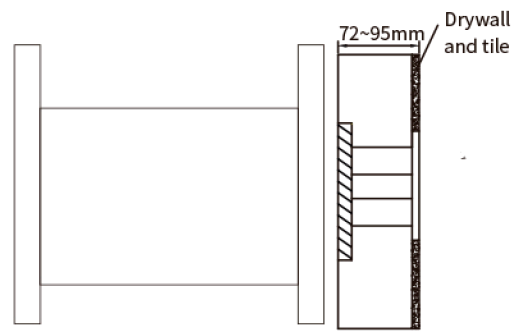
 1 888 685 8236



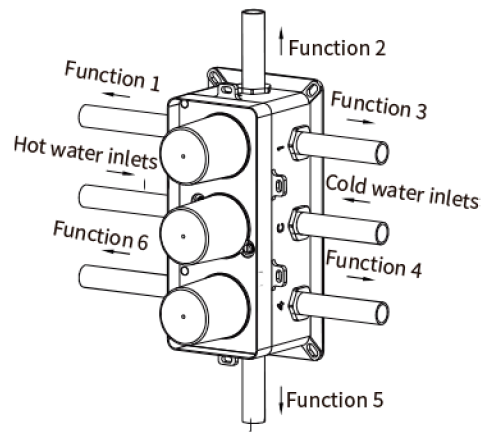
01



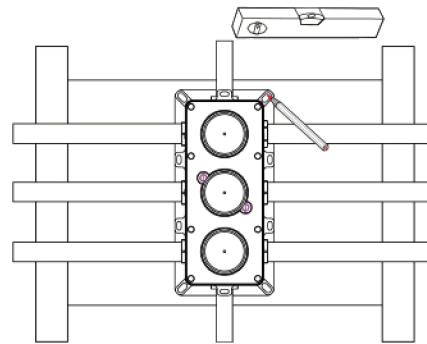
02



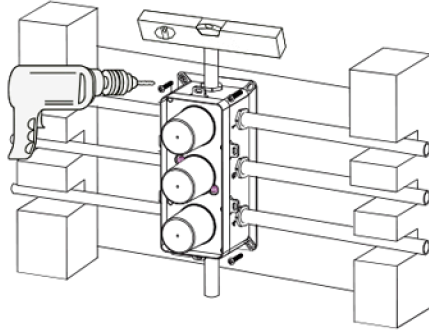
03



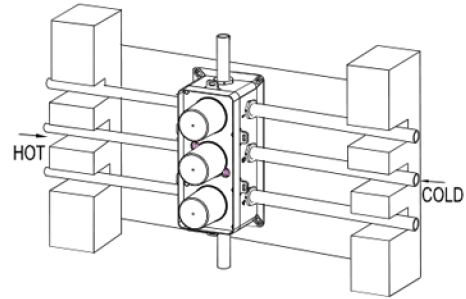
04



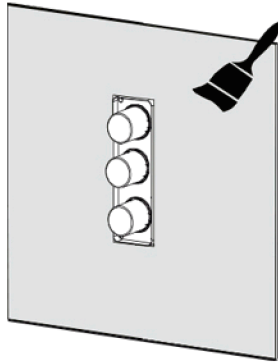
05



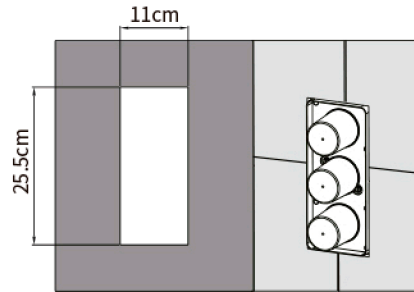
06



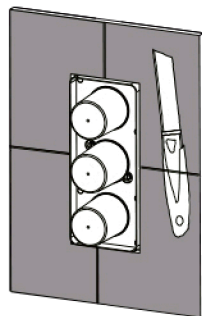
07



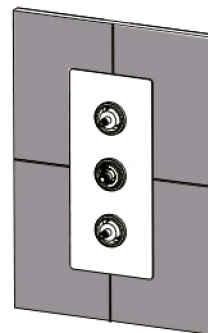
08



09



10





11

