



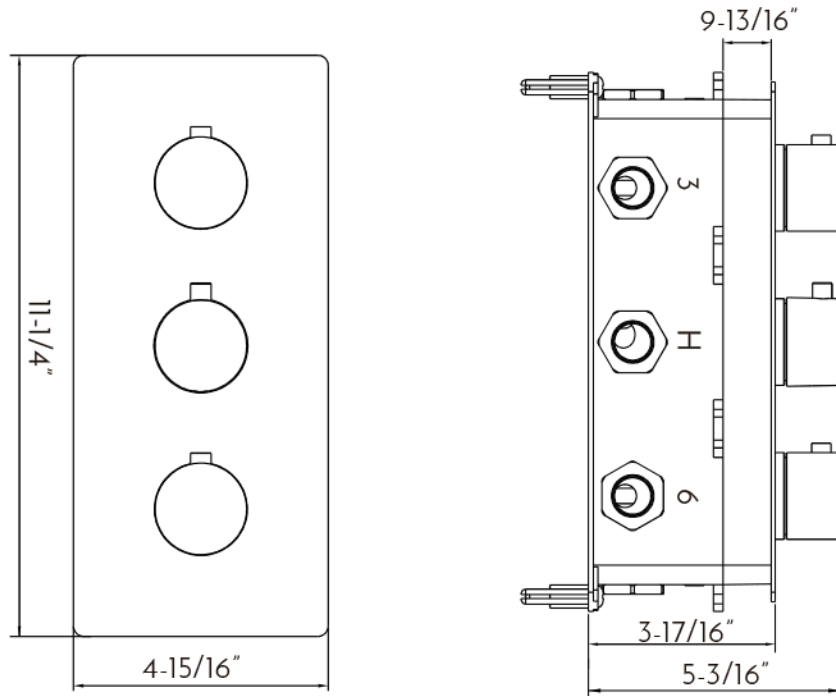
DAX-1058-CR



SHOWER VALVES **SERIES**



www.daxib.com



FEATURES

- Shower Valve
- Concealed Valve
- Thermostatic Mixer
- 2 Function Diverter







SHOWER VALVE DAX-1058-CR

MODEL	DAX-1058-CR
ADA	No
UPC APPROVED	Yes
ANSI APPROVED	Yes
ASME APPROVED	Yes
BODYSPRAYS INCLUDED	No
ROUGH-IN VALVE FLOW RATE (GPM)	8
HAND SHOWER INCLUDED	No
HAND SHOWER HOSE INCLUDED	No
HAND SHOWER HOSE LENGTH	No
INSTALLATION TYPE	Wall Mounted
MATERIAL	Brass & Stainless Steel 304
PRESSURE BALANCE	No
SCALD GUARD	No
SHOWER ARM REACH	No
SHOWER ARM CONNECTION SIZE	NPT 3/4" & 1/2"
SHOWER HEAD	No
THERMOSTATIC	Yes
VALVE INCLUDED	French Venet
VALVE TYPE	Yes
WATERSENSE CERTIFIED	No
WALL ELBOW DIMENSION	NPT 3/4" & 1/2"
FINISH	Chrome

For parts or sale requirements please contact our customer service department:

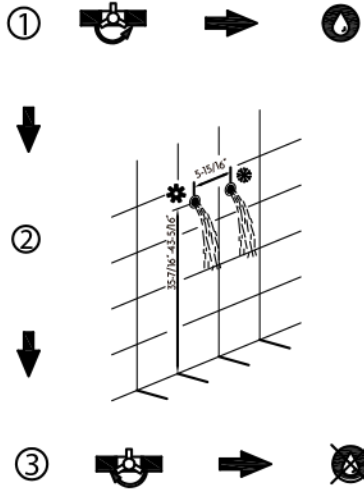
 CS@daxib.com

 1 888 685 8236

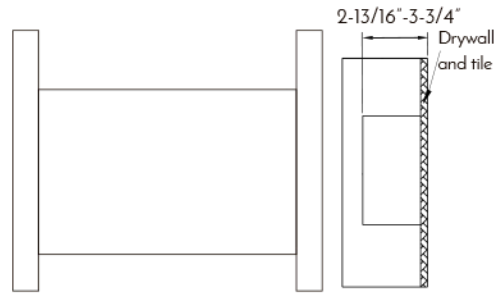




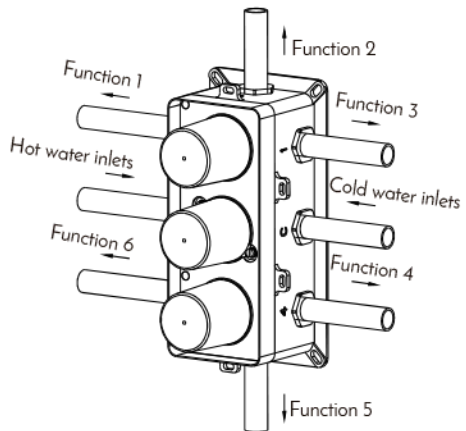
01



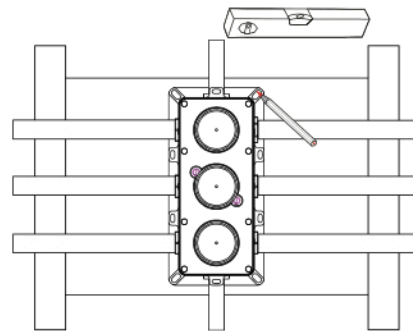
02



03

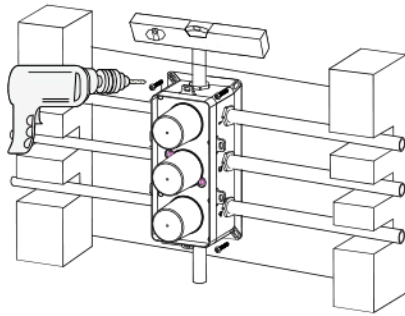


04

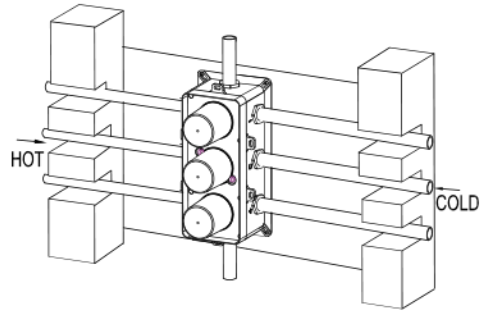




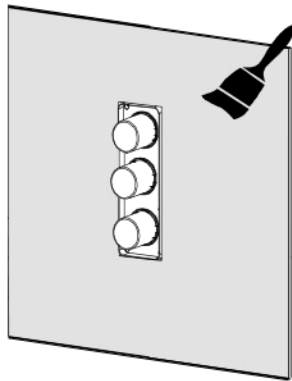
05



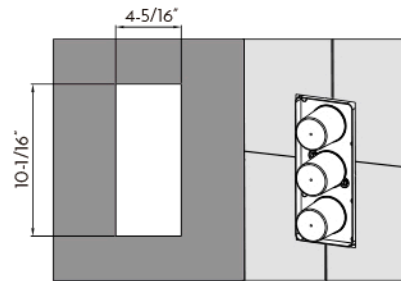
06



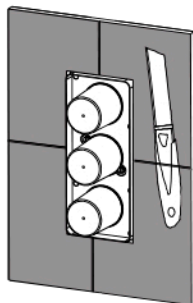
07



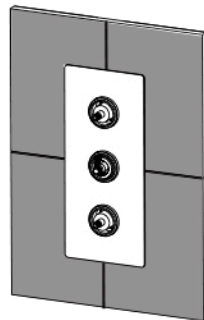
08



09



10



11

