



DAX-1053-SQ-BL



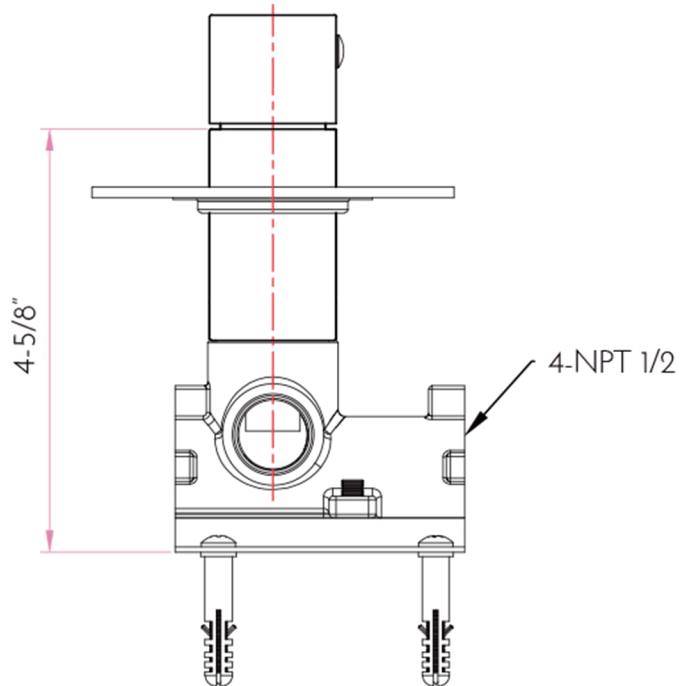
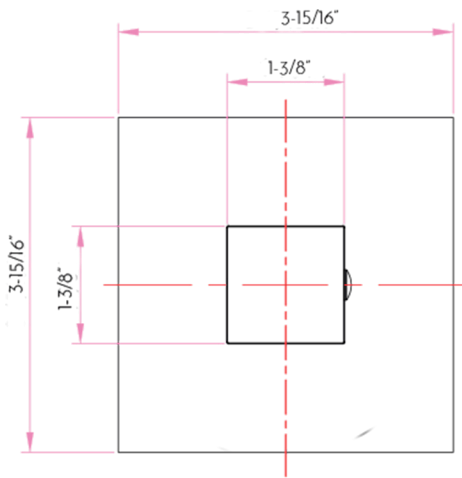
SHOWER VALVES SERIES





FEATURES

- 3 Way Shower Valve
- Brass Body
- 304 Stainless Steel Round Trim
- UPC Approved






SHOWER VALVE DAX-1053-SQ-BL

MODEL	DAX-1053-SQ-BL
UPC APPROVED	Yes
ANSI APPROVED	No
ASME APPROVED	No
BODYSPRAYS INCLUDED	No
ROUGH-IN VALVE FLOW RATE (GPM)	8
HAND SHOWER INCLUDED	No
HAND SHOWER HOSE INCLUDED	No
HAND SHOWER HOSE LENGTH	No
INSTALLATION TYPE	Wall Mounted
MATERIAL OF TRIM KIT	Brass & Stainless steel 304
PRESSURE BALANCE	No
SCAL GUARD	No
SHOWER ARM REACH	No
SHOWER ARM CONNECTION SIZE	NPT 1/2"
SHOWER HEAD	No
THERMOSTATIC	No
VALVE TYPE	No
WATERSENSE CERTIFIED	No
WALL ELBOW DIMMENSION	NPT 1/2"
FINISH	Matte Black

For parts or sale requirements please contact our customer service department:

 CS@daxib.com

 1 888 685 8236

