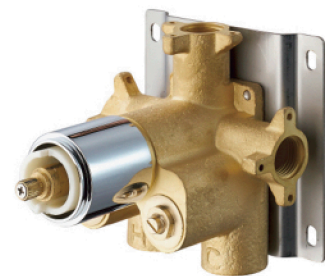




DAX-1050-SQ-BL



SHOWER VALVES SERIES

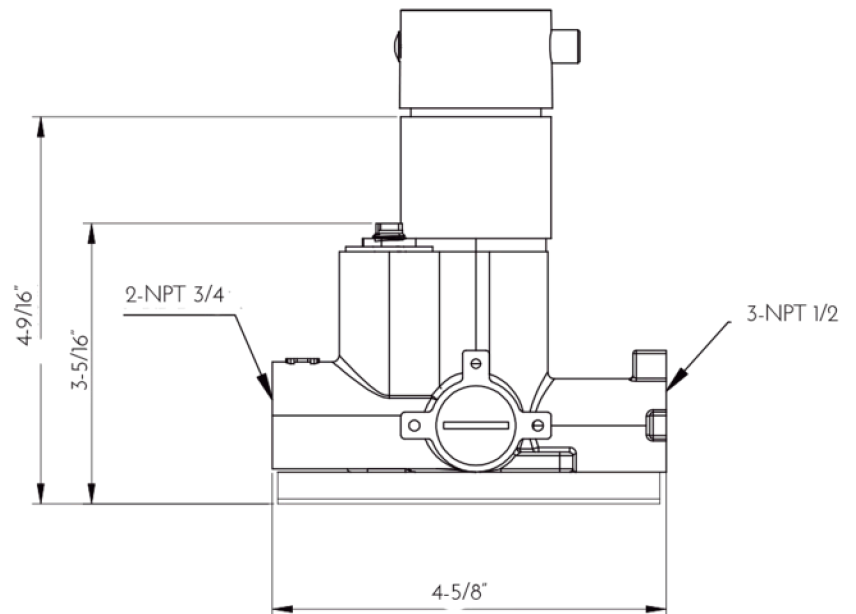
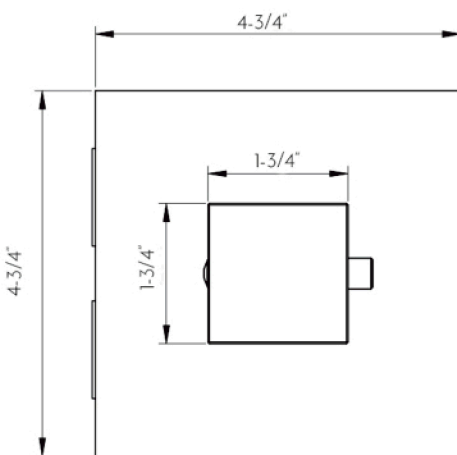
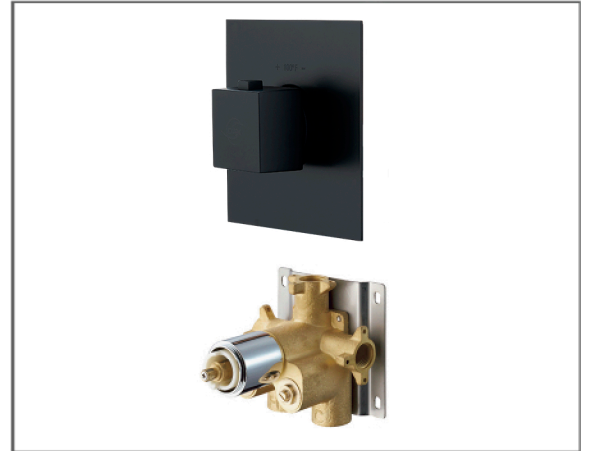


www.daxib.com



FEATURES

- Concealed Thermostatic Mixer with 3 Functions
- Brass Body
- 304 Stainless Steel Square Trim
- UPC Approved
- Square Handles







SHOWER VALVE DAX-1050-SQ-BL

MODEL	DAX-1050-SQ-BL
UPC APPROVED	Yes
ANSI APPROVED	No
ASME APPROVED	No
BODYSPRAYS INCLUDED	No
ROUGH-IN VALVE FLOW RATE (GPM)	8
HAND SHOWER INCLUDED	No
HAND SHOWER HOSE INCLUDED	No
INSTALLATION TYPE	Wall Mounted
MATERIAL OF TRIM KIT	Brass & Stainless steel 304
PRESSURE BALANCE	No
SCAL GUARD	No
SHOWER ARM REACH	No
SHOWER ARM CONNECTION SIZE	NPT 3/4"
SHOWER HEAD	No
THERMOSTATIC	Yes
WATERSENSE CERTIFIED	No
WALL ELBOW DIMENSION	NPT 3/4"
FINISH	Matte Black

For parts or sale requirements please contact our customer service department:

 CS@daxib.com

 1 888 685 8236

