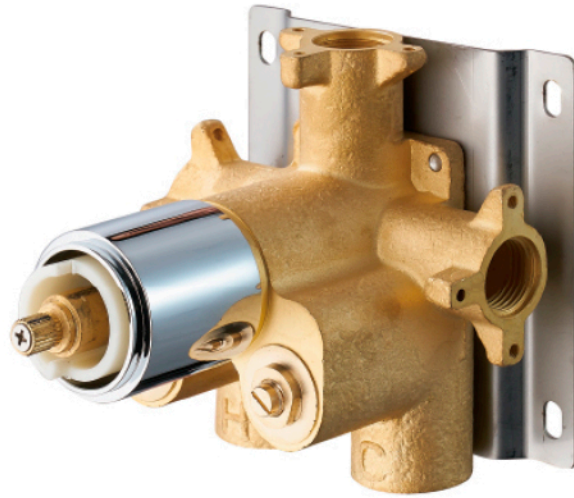




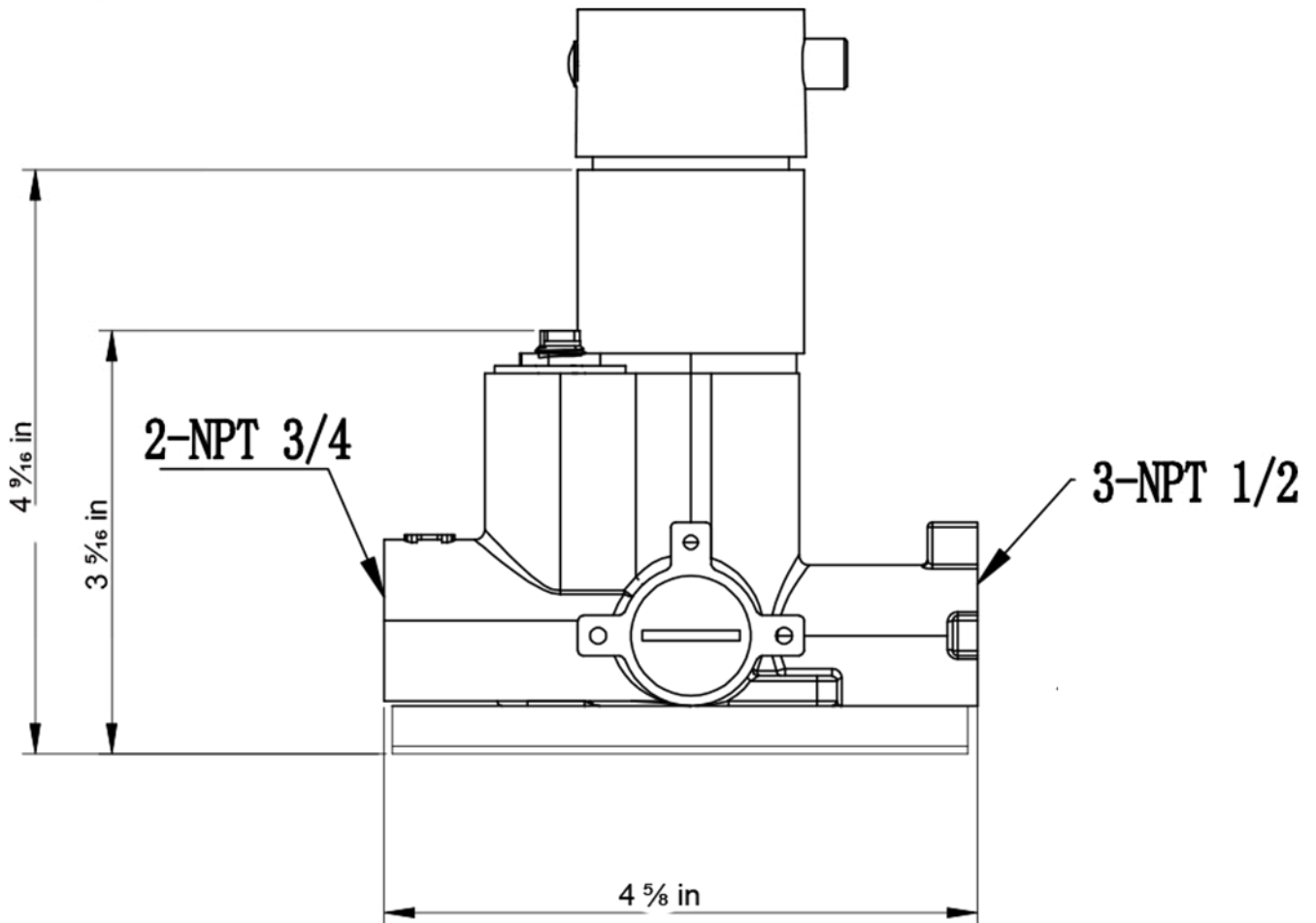
DAX-1050-CR



SHOWER VALVE SERIES



www.daxib.com



FEATURES

- Valve
- Concealed
- Thermostatic mixer
- Chrome Finish







SHOWER VALVE DAX-1050-CR

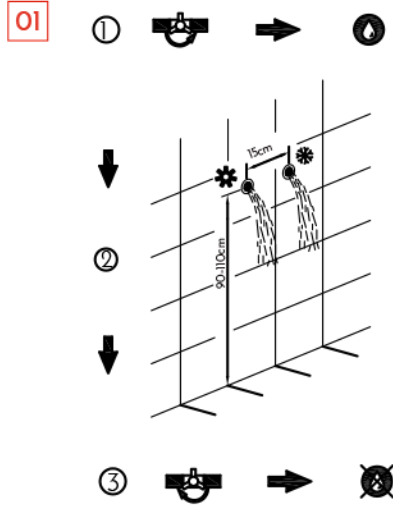
MODEL	DAX-1050-CR
UPC APPROVED	Yes
ANSI APPROVED	No
ASME APPROVED	No
BODYSPRAYS INCLUDED	No
ROUGH-IN VALVE FLOW RATE (GPM)	8
HAND SHOWER INCLUDED	No
HAND SHOWER HOSE INCLUDED	No
HAND SHOWER HOSE LENGTH	No
INSTALLATION TYPE	Wall Mounted
MATERIAL	Brass & Stainless Steel 304
PRESSURE BALANCE	No
SCALD GUARD	No
SHOWER ARM REACH	No
SHOWER ARM CONNECTION SIZE	NPT 3/4"
SHOWER HEAD	No
THERMOSTATIC	Yes
VALVE INCLUDED	French Venet
VALVE TYPE	Yes
WATERSENSE CERTIFIED	No
WALL ELBOW DIMENSION	NPT 3/4"
FINISH	Chrome

For parts or sale requirements please contact our customer service department:

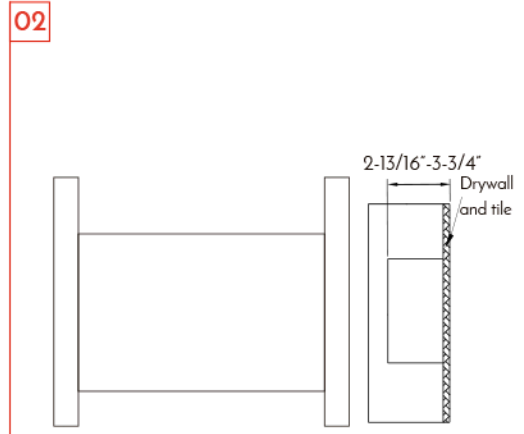
 CS@daxib.com

 1 888 685 8236

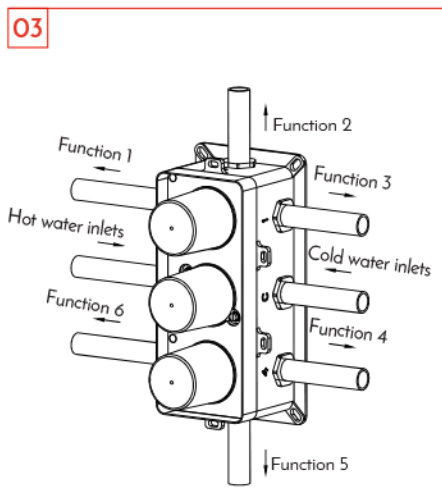




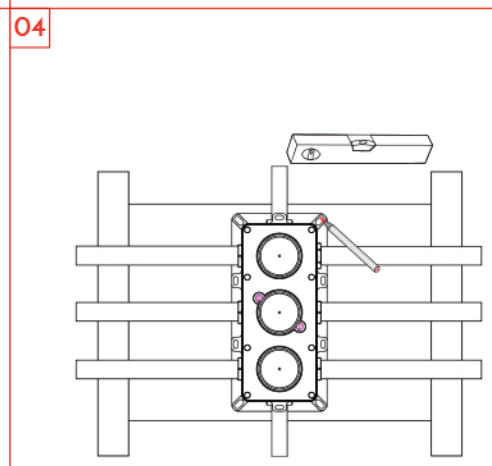
Flush the water supply lines thoroughly to drain debris and impurities. Shut off the water before installation.



Fix a wood plate to the two wood pipes for faucet installation.



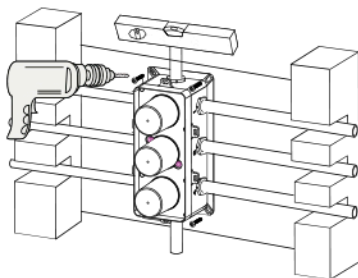
Design the pipelines connection inside the wall accordingly to the function chart.



Put the installation box on the wood plate. Measure the correct position with level and marks.

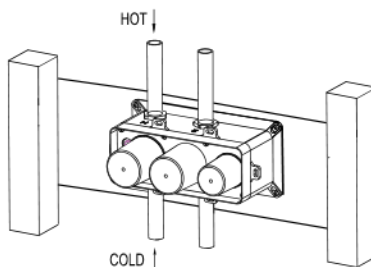


05



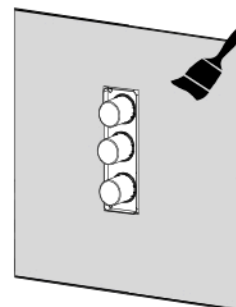
Screw the installation box to the wood plate.

06



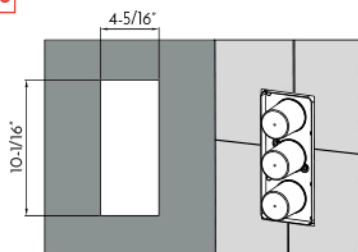
Connect hot and cold water pipes and all outlets accordingly and test the leakage.

07



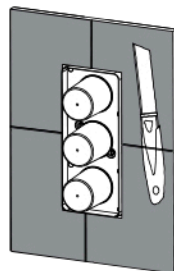
Create a dry wall around the installation box and brush with water proof glue.

08



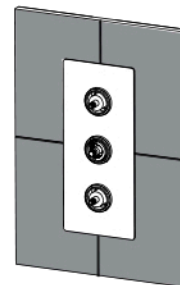
Leave a hole on tile covering according to chart dimensions and real product size. Use silicone along the installation box to seal.

09



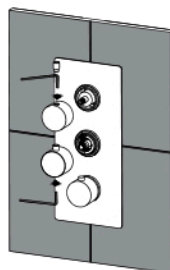
Cut the excess part of installation box. Make sure there are no bump edges above tiles.

10



Take away the plastic protection cups on the valve and insert the stainless steel plate. Consider the correct direction of plate.

11



Install the handles with supplied key. Test and make sure all the functions are closed when handle is pointed at OFF position. The installation is completed.

