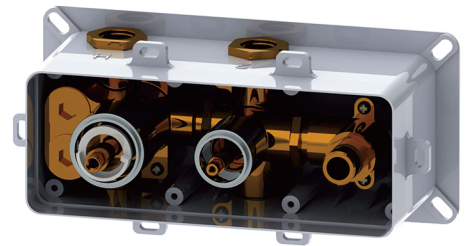




DAX-1004-RD-BN



SHOWER VALVES SERIES

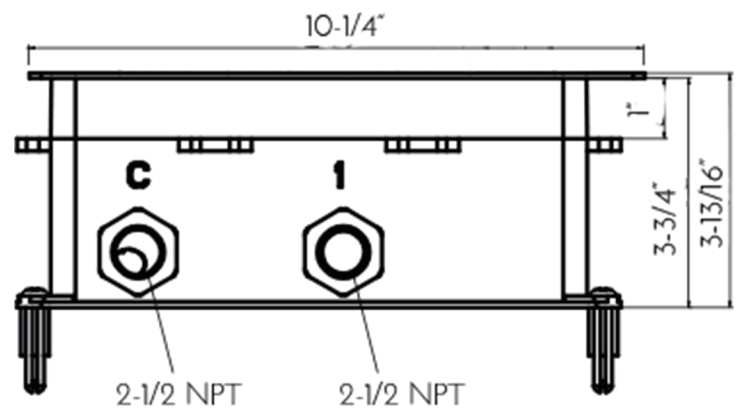
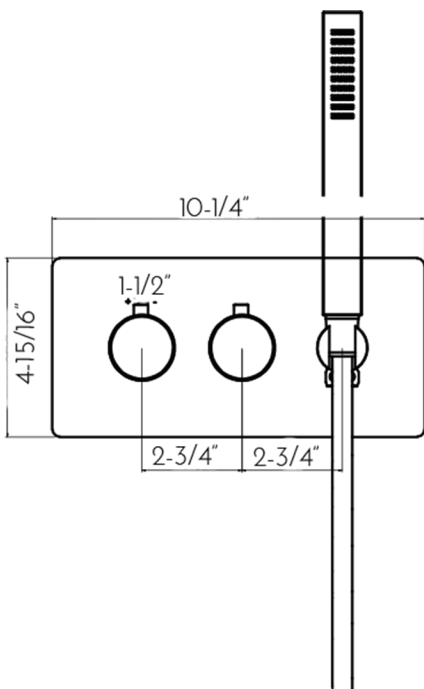


www.daxib.com



FEATURES

- Concealed Thermostatic Mixer with 3 Functions
- Brass Body
- 304 Stainless Steel Trim Kit
- UPC Approved
- Round Hand Shower
- Round Handles






SHOWER VALVE DAX-1004-RD-BN

MODEL	DAX-1004-RD-BN
UPC APPROVED	Yes
ANSI APPROVED	No
ASME APPROVED	No
BODYSPRAYS INCLUDED	No
ROUGH-IN VALVE FLOW RATE (GPM)	4.2
HAND SHOWER INCLUDED	Yes
HAND SHOWER HOSE INCLUDED	Yes
INSTALLATION TYPE	Wall Mounted
MATERIAL OF TRIM KIT	Brass & Stainless steel 304
PRESSURE BALANCE	No
SCAL GUARD	No
SHOWER ARM REACH	No
SHOWER ARM CONNECTION SIZE	NPT 1/2"
SHOWER HEAD	No
THERMOSTATIC	Yes
WATERSENSE CERTIFIED	No
WALL ELBOW DIMENSION	NPT 1/2"
FINISH	Brushed Nickel

For parts or sale requirements please contact our customer service department:

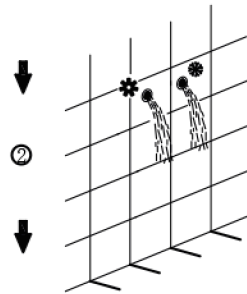
 CS@daxib.com

 1 888 685 8236

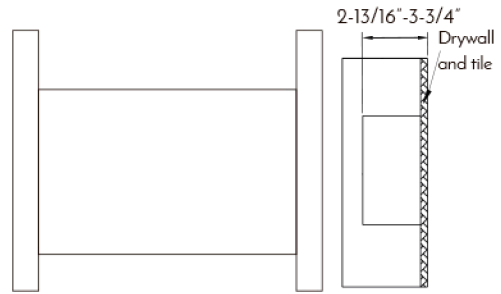




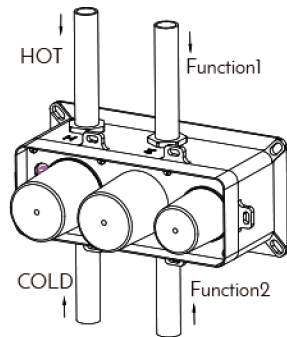
01



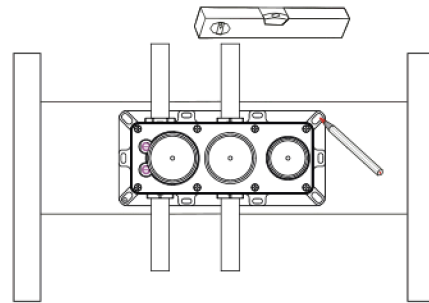
02



03

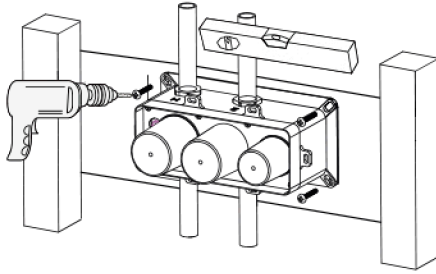


04

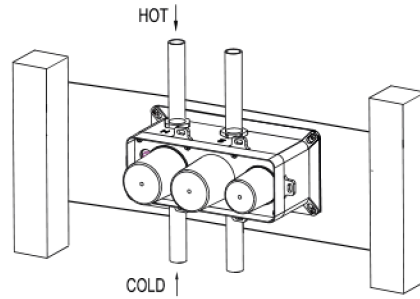




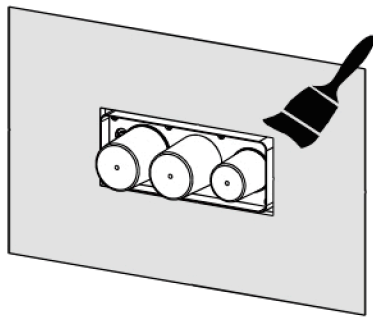
05



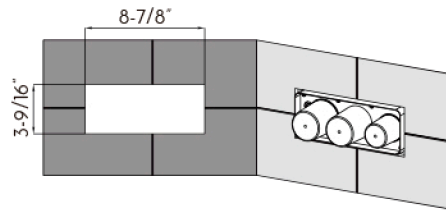
06



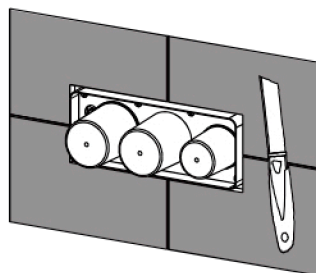
07



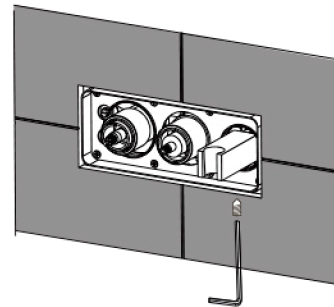
08



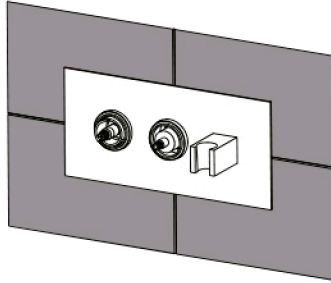
09



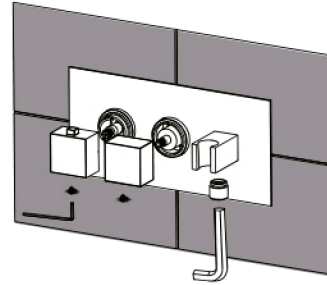
10



11



12



13

