



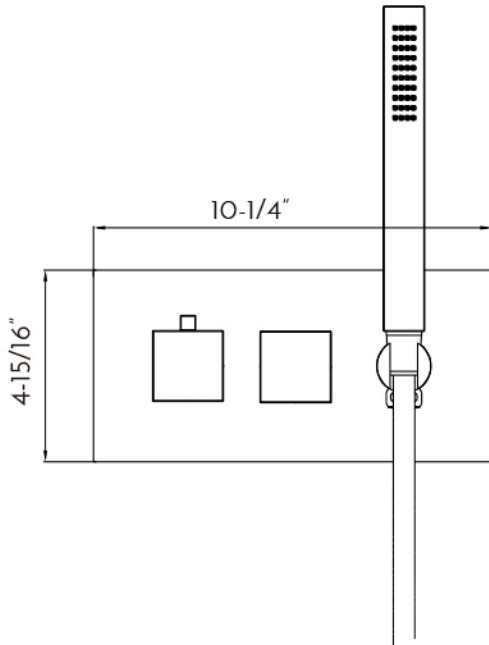
DAX-1004-03-CR



SHOWER HANDLES **SERIES**



[www.daxib.com](http://www.daxib.com)



## FEATURES

---

- Square Hand Shower
- Plate Kit
- For Model DAX-1004
- Chrome Finish





**SHOWER HANDLE DAX-1004-03-CR**

MODEL	DAX-1004-03-CR
ADA	No
UPC APPROVED	Yes
ANSI APPROVED	No
ASME APPROVED	No
BODYSPRAYS INCLUDED	No
HANDLE MATERIAL	Zinc Alloy
HAND SHOWER INCLUDED	No
HAND SHOWER HOSE INCLUDED	No
HAND SHOWER HOSE LENGTH	No
INSTALLATION TYPE	Wall Mounted
MATERIAL	Brass & Stainless Steel 304
SCALD GUARD	No
SHOWER ARM REACH	No
SHOWER HEAD	No
FINISH	Chrome

For parts or sale requirements please contact our customer service department:



[CS@daxib.com](mailto:CS@daxib.com)

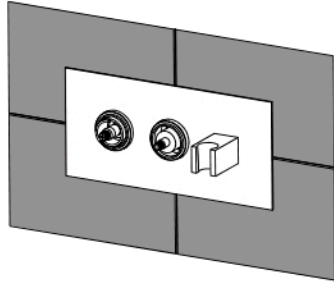


1 888 685 8236

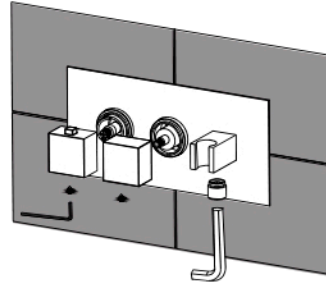




01



02



03

