



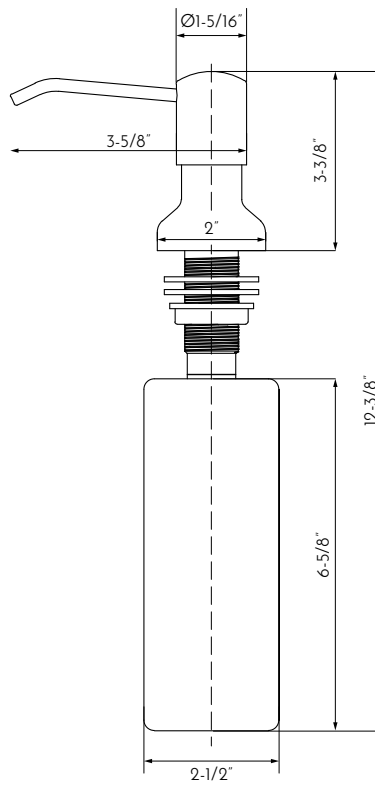
DAX-1002-CR



SOAP DISPENSERS **SERIES**



DAX-1002-CR



FEATURES

- Brass head
- Chrome finish

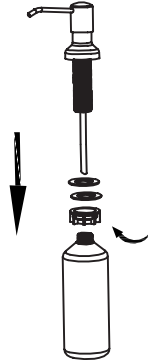




01

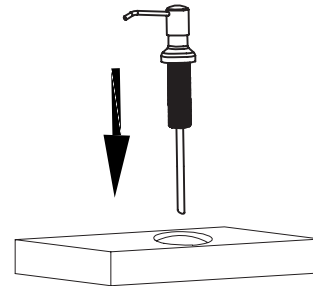


02



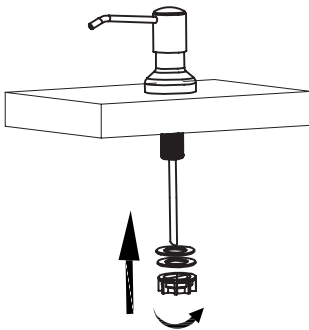
Remove locknut and thread bottle, leaving washer on threaded flange.

03



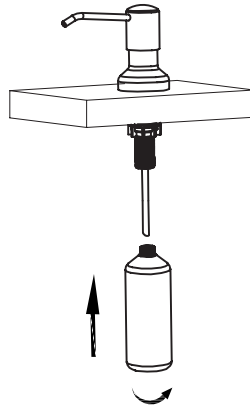
Insert flat end of pump tube into pump.

04



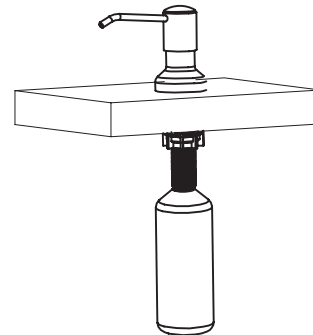
From underneath sink hand tighten the locknut to secure flange.

05



Locknut to thread bottle.

06





SOAP DISPENSER **DAX-1002-CR**

MODEL	DAX-1002-CR
MATERIAL	Brass head
SHAPE	Round
DEPTH	6-5/8"
HEIGHT	12-3/8"
LENGTH	2-1/2"
WEIGHT	0.3747858 lb
WIDTH	3-5/8"
FINISH	Chrome
INSTALLATION TYPE	Deck Mount

For parts or sale requirements
please contact our customer service department:



CS@daxib.com



1 888 685 8236