



DAX-079-BN



## HAND SHOWER HOLDERS **SERIES**

### FEATURES

---

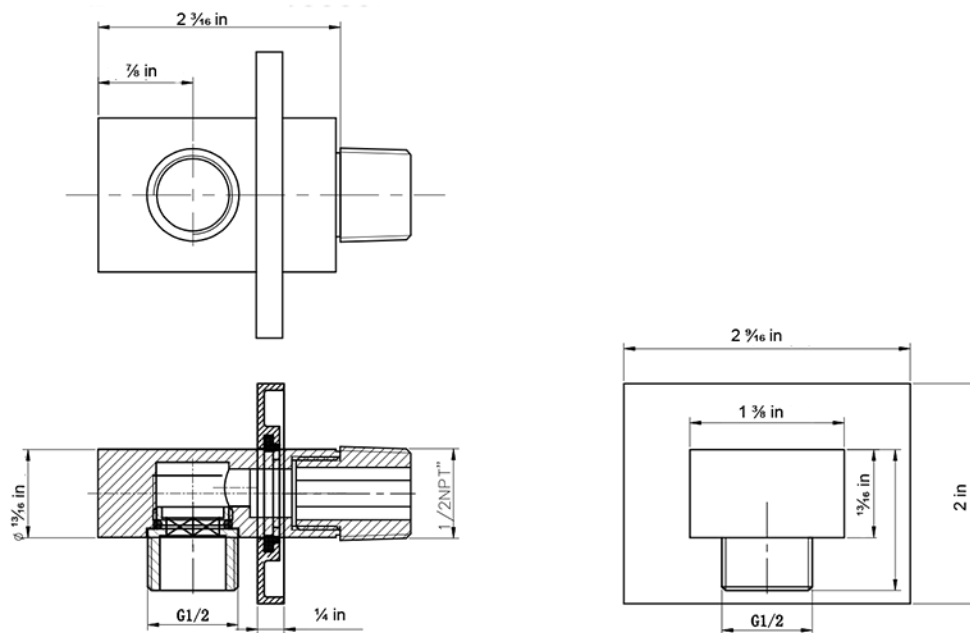
- Hand Shower Holder
- Hose Connector
- Square
- Brass
- Brushed Nickel Finish







**HAND SHOWER HOLDER DAX-079-BN**

MODEL	DAX-079-BN
ADA	No
UPC APPROVED	Yes
ANSI APPROVED	No
ASME APPROVED	No
BODYSPRAYS INCLUDED	No
HAND SHOWER INCLUDED	No
HAND SHOWER HOSE INCLUDED	No
HAND SHOWER HOSE LENGTH	No
INSTALLATION TYPE	Wall Mounted
MATERIAL	Brass
WATERSENSE CERTIFIED	No
WALL ELBOW DIMENSION	NPT 1/2"
FINISH	Brushed Nickel



For parts or sale requirements please contact our customer service department:

 [CS@daxib.com](mailto:CS@daxib.com)

 1 888 685 8236

