



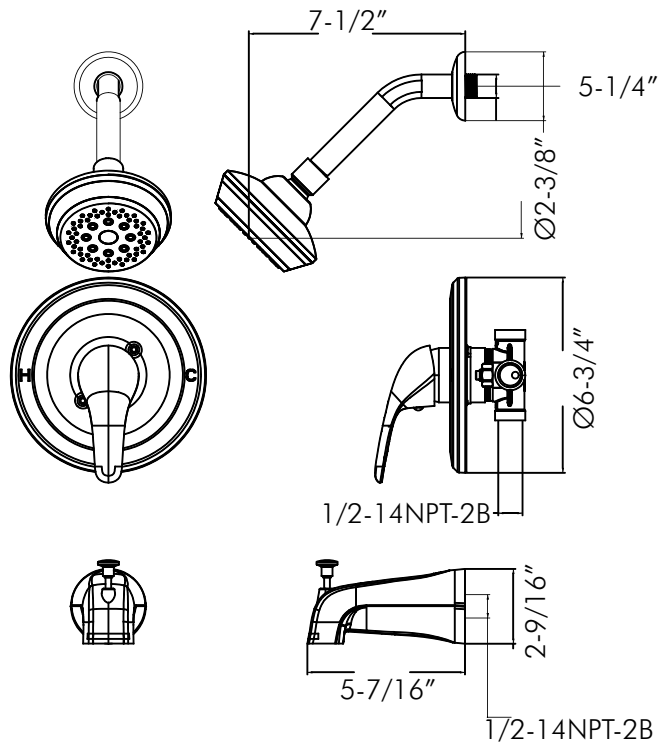
DAX-O511-BN



SHOWER SYSTEMS **SERIES**



www.daxib.com



FEATURES

- Two function valve
- Wall mount shower head
- Multi-function shower head
- Tub filler
- Ceramic cartridge
- Shower head flow rate 2.5 GPM
- Pressure balance valve
- Anti-scalding protection
- Brass body





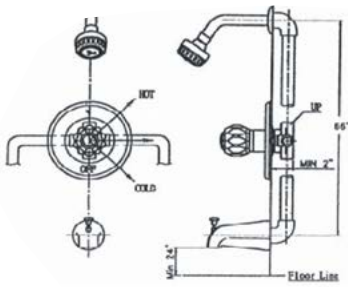
SHOWER SYSTEM DAX-0511-BN

MODEL	DAX-0511-BN
ADA	YES
UPC APPROVED	YES
ANSI APPROVED	YES
ASME APPROVED	YES
HAND SHOWER FLOW RATE (GPM)	No Handle Shower
SHOWER HEAD FLOW RATE (GPM)	2.5 GPM
ROUGH-IN VALVE FLOW RATE (GPM)	No Limited
HANDLE MATERIAL	Zinc
HANDLE STYLE	Single Lever
HAND SHOWER INCLUDED	NO
HAND SHOWER HOSE INCLUDED	NO
INSTALLATION TYPE	Wall mount
PRESSURE BALANCE	YES
ANTI-SCALDING PROTECTION	YES
SHOWER ARM REACH	6"
SHOWER HEAD	YES
SHOWER HEAD SHAPE	Round
SHOWER HEAD WIDTH	Ø2-3/8"
SLIDE BAR INCLUDED	NO
THERMOSTATIC	NO
VALVE INCLUDED	YES
VALVE TYPE	Pressure Balance
WATER EFFICIENT	YES
WATERSENSE CERTIFIED	YES
WALL ELBOW DIMENSION	2-3/8"
FINISH	Brushed nickel

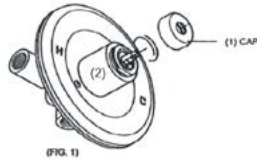




01



02

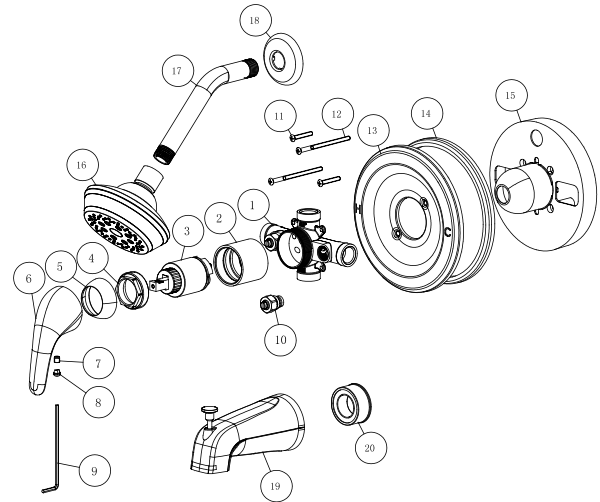


03






DIAGRAM NUMBER	DAX SKU	TITLE DESCRIPTION
1		Value Body
2		Sleeve
3		Cartridge
4		Fixting Nut
5		Dome Nut
6		Handle
7		Hot&Cold Index Button
8		Set Screw
9		Allen Wrench
10		Integral Stop
11		Screw
12		Screw
13		Cover Plate
14		Escutcheon Gasket
15		Protect Head
16		Shower Head
17		Shower Arm
18		Shower Flange
19		Spout
20		Teflon Tap



For parts or sale requirements please contact our customer service department:

 CS@daxib.com

 1 888 685 8236

