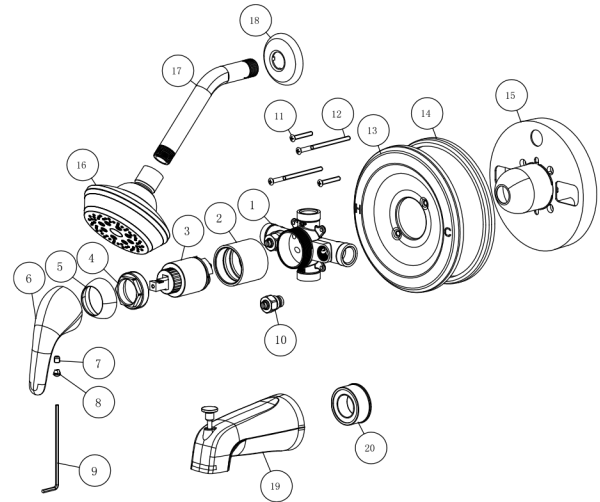




DIAGRAM NUMBER	DAX SKU	TITLE DESCRIPTION
1	600210	Value Body
2	600211	Sleeve
3	600212	Cartridge
4	600213	Fixting Nut
5	600214	Dome Nut
6	600215	Handle
7	600216	Hot&Cold Index Button
8	600217	Set Screw
9	600218	Allen Wrench
10	600219	Integral Stop
11	600220	Screw
12	600221	Screw
13	600222	Cover Plate
14	600223	Escutcheon Gasket
15	600224	Protect Head
16	600225	Shower Head
17	600226	Shower Arm
18	600227	Shower Flange
19	600228	Spout
20	600229	Teflon Tap



For parts or sale requirements please contact our customer service department:

 CS@daxib.com

 1 888 685 8236

