

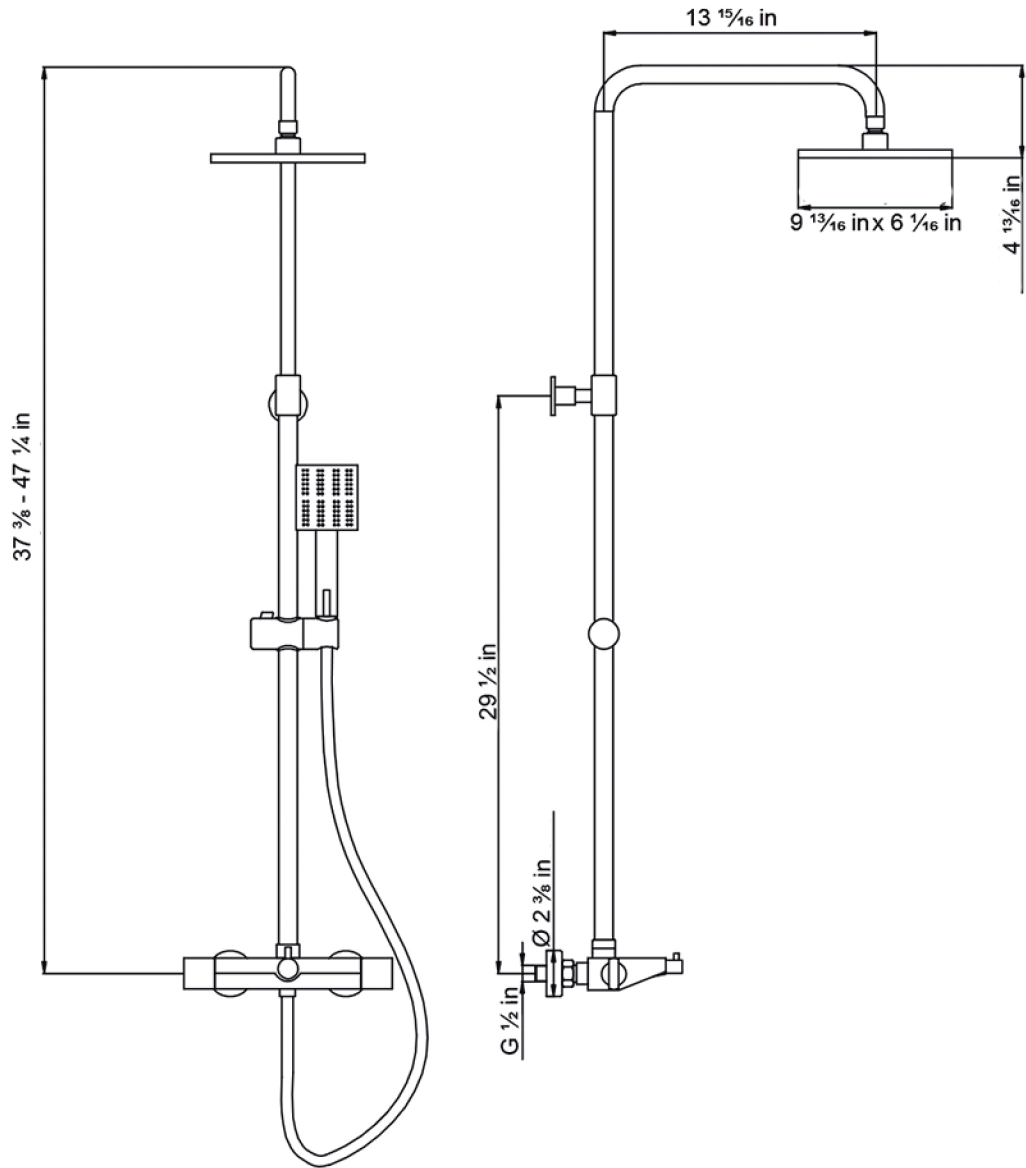


DAX-O47



SHOWER SYSTEM **SERIES**





## FEATURES

- Shower Column
- Flow Rate Control
- Thermostatic Mixer
- Hand Shower
- Brushed Stainless Steel






SHOWER SYSTEM **DAX-047**

MODEL	DAX-047
ADA	No
UPC APPROVED	Yes
ANSI APPROVED	No
ASME APPROVED	No
BODYSPRAYS INCLUDED	No
HAND SHOWER FLOW RATE (GPM)	2.5
SHOWER HEAD FLOW RATE (GPM)	2.5
ROUGH-IN VALVE FLOW RATE (GPM)	3.8
HANDLE MATERIAL	Stainless Steel
HANDLE STYLE	On Panel
HAND SHOWER INCLUDED	Yes
HAND SHOWER HOSE INCLUDED	Yes
HAND SHOWER HOSE LENGTH	1.5M
INSTALLATION TYPE	Wall Mounted
MATERIAL	Brass
PRESSURE BALANCE	No
SCALD GUARD	Yes
SHOWER ARM REACH	No
SHOWER HEAD	Yes
SHOWER HEAD HEIGHT	2.2M
SHOWER HEAD SHAPE	Square
SHOWER HEAD WIDTH	7-7/8 x 7-7/8
SLIDE BAR INCLUDED	No
SPRAY PATTERN	Rain & Hand Shower
THERMOSTATIC	Yes
VALVE INCLUDED	French Venet
VALVE TYPE	Thermostatic
WATER EFFICIENT	Yes
WATERSENSE CERTIFIED	No
WALL ELBOW DIMENSION	NPSM 1/2" male
FINISH	Chrome

For parts or sale requirements please contact our customer service department:

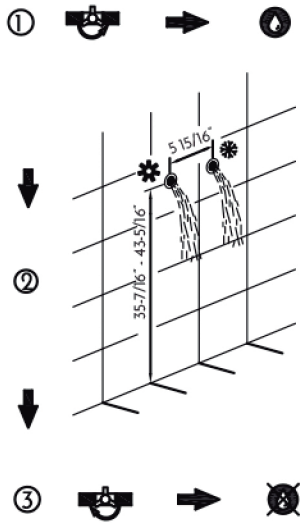
 [CS@daxib.com](mailto:CS@daxib.com)

 1 888 685 8236

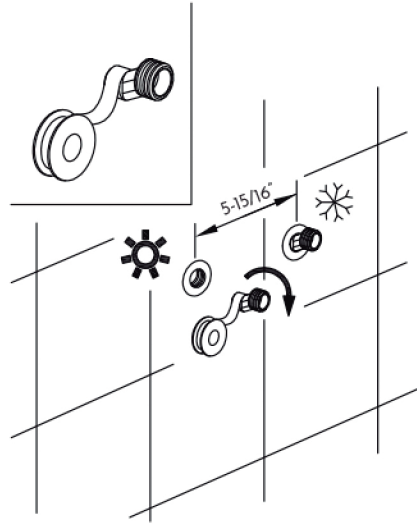




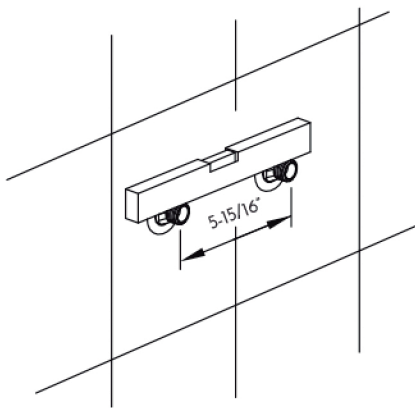
01



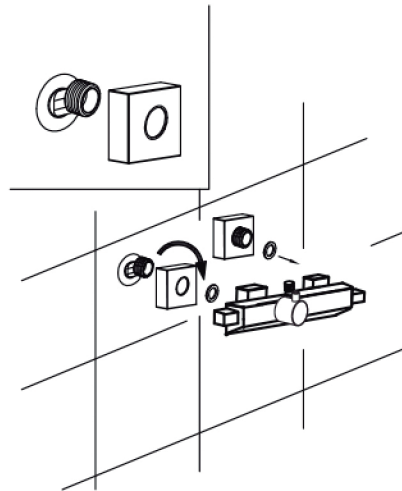
02



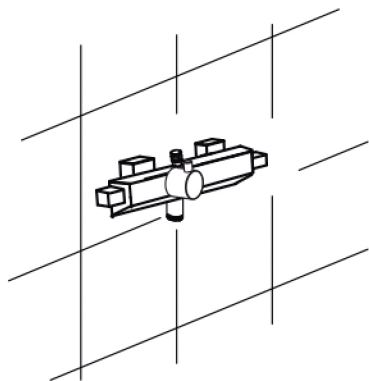
03



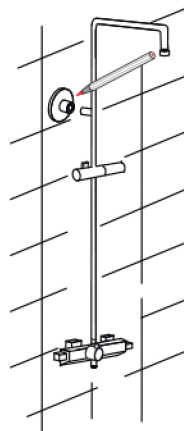
04



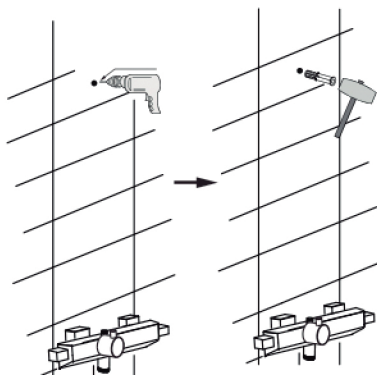
05



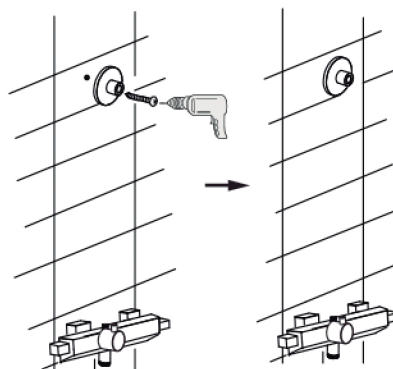
06



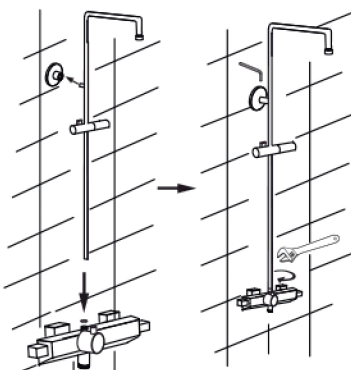
07



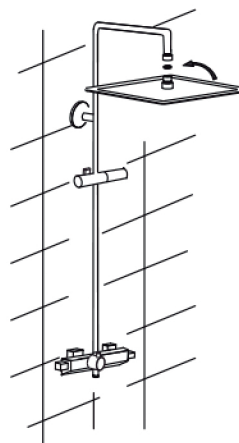
08



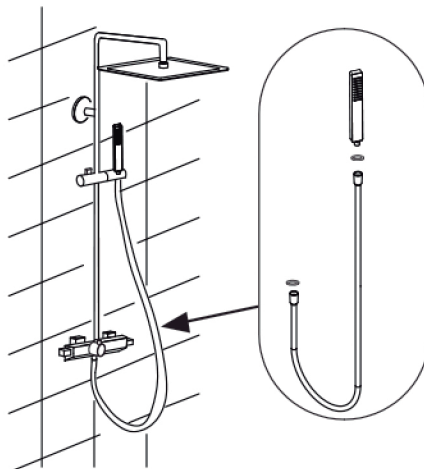
09



10



11



12

