

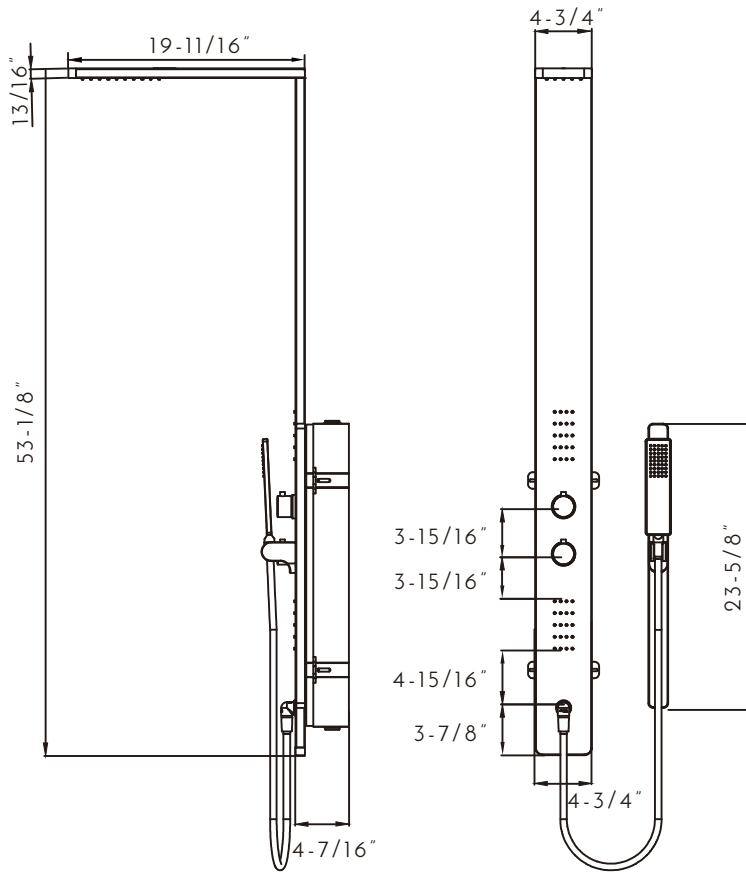


DAX-O45-2R



SHOWER PANELS **SERIES**





FEATURES

- Shower Panel
- Pressure Balance Valve
- Brushed Stainless Steel





SHOWER PANEL DAX-045-2R

MODEL	DAX-045-2R
ADA	No
UPC APPROVED	Yes
ANSI APPROVED	No
ASME APPROVED	No
BODYSPRAYS INCLUDED	No
MATERIAL	Stainless Steel
WALL MOUNTED	Yes
HAND SHOWER INCLUDED	Yes
HAND SHOWER HOSE INCLUDED	Yes
HAND SHOWER HOSE LENGTH	1.5M
PRESSURE BALANCE	Yes
SCALD GUARD	Yes
SHOWER HEAD	Yes
SHOWER HEAD SHAPE	Rectangular
SHOWER HEAD WIDTH	4-3/4"
SLIDE BAR INCLUDED	Yes
SPRAY PATTERN	Rain
THERMOSTATIC	No
VALVE TYPE	Pressure Balance
WATERSENSE CERTIFIED	No
FINISH	Brushed Stainless Steel

For parts or sale requirements please contact our customer service department:

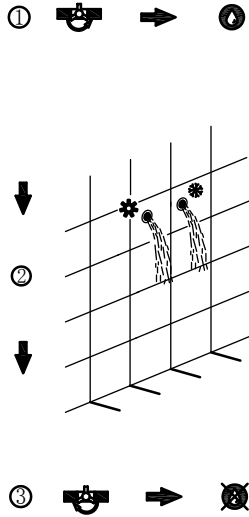
 CS@daxib.com

 1 888 685 8236

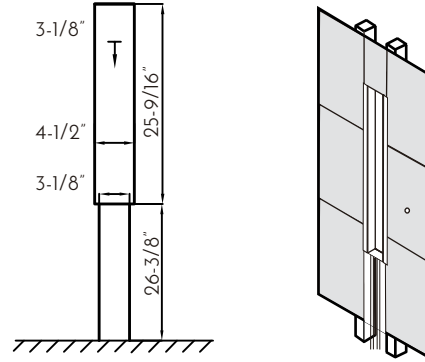




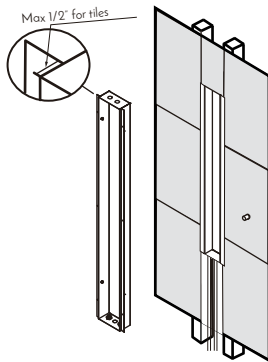
01



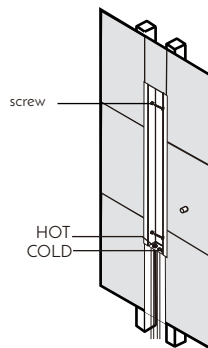
02



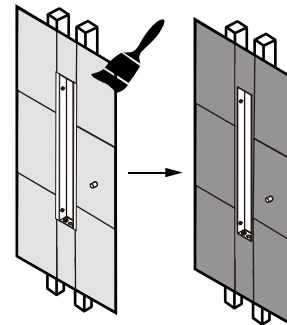
03



04

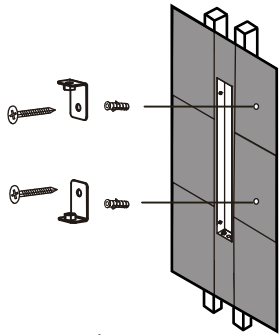


05

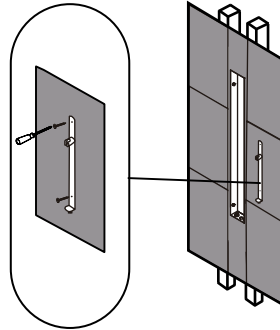




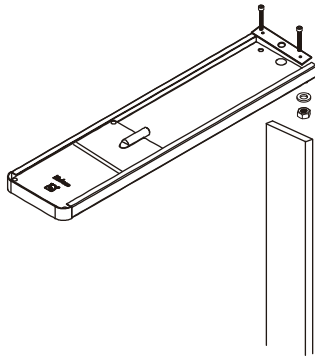
06



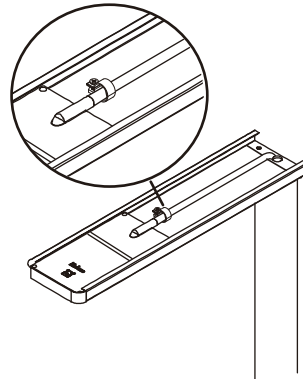
07



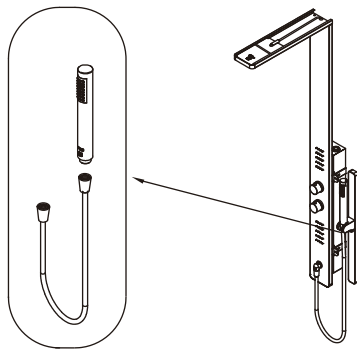
08



09



10



11

