

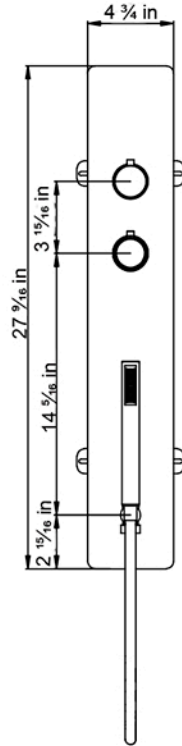
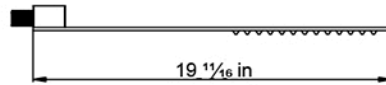
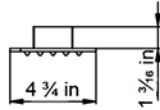


DAX-038-1MW



SHOWER PANELS **SERIES**





## FEATURES

- Shower System
- Thermostatic Mixer
- Hand Shower
- Stainless Steel
- Matte White Finish







**SHOWER PANEL DAX-038-1MW**

MODEL	DAX-038-1MW
ADA	No
UPC APPROVED	Yes
ANSI APPROVED	No
ASME APPROVED	No
HAND SHOWER INCLUDED	Yes
HAND SHOWER HOSE INCLUDED	Yes
HAND SHOWER HOSE LENGTH	1.5M
PRESSURE BALANCE	No
SCALD GUARD	Yes
SHOWER HEAD	Yes
SHOWER HEAD SHAPE	Rectangular
SHOWER HEAD WIDTH	3-15/16"
SLIDE BAR INCLUDED	No
SPRAY PATTERN	Rain
THERMOSTATIC	Yes
VALVE TYPE	Thermostatic
WATERSENSE CERTIFIED	No
FINISH	Matte White

For parts or sale requirements please contact our customer service department:

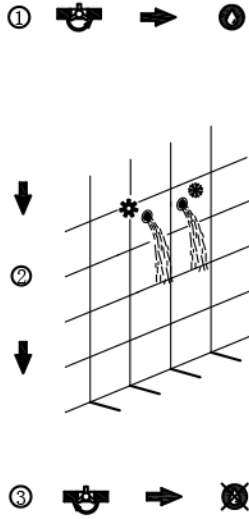
 [CS@daxib.com](mailto:CS@daxib.com)

 1 888 685 8236

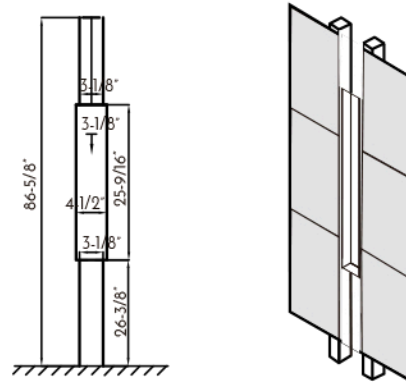




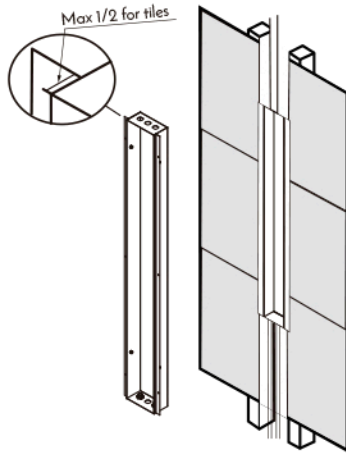
01



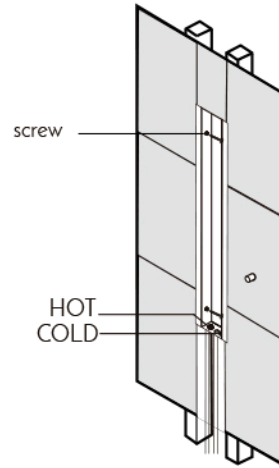
02



03

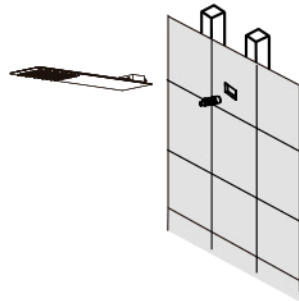


04





05



06

