

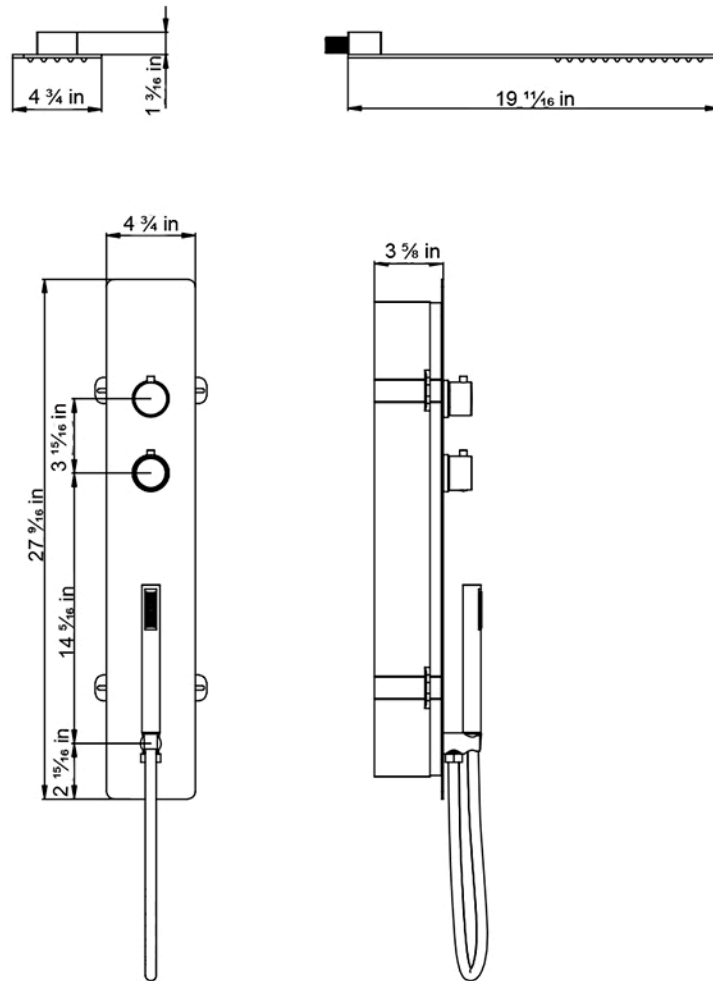


DAX-O38-1MB



SHOWER PANELS **SERIES**





FEATURES

- Shower System
- Thermostatic Mixer
- Hand Shower
- Stainless Steel
- Matte Black Finish







SHOWER PANEL DAX-038-1MB

MODEL	DAX-038-1MB
ADA	No
UPC APPROVED	Yes
ANSI APPROVED	No
ASME APPROVED	No
BODYSPRAYS INCLUDED	No
HAND SHOWER INCLUDED	Yes
HAND SHOWER HOSE INCLUDED	Yes
HAND SHOWER HOSE LENGTH	1.5M
PRESSURE BALANCE	Yes
SCALD GUARD	Yes
SHOWER HEAD	Yes
SHOWER HEAD SHAPE	Rectangular
SHOWER HEAD WIDTH	3-15/16"
SLIDE BAR INCLUDED	No
SPRAY PATTERN	Rain
THERMOSTATIC	No
VALVE TYPE	Pressure Balance
FINISH	Matte Black

For parts or sale requirements please contact our customer service department:

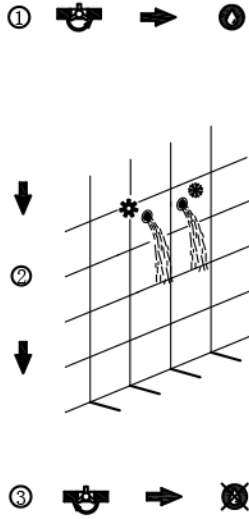
 CS@daxib.com

 1 888 685 8236

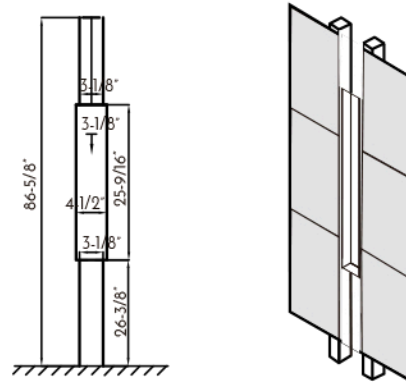




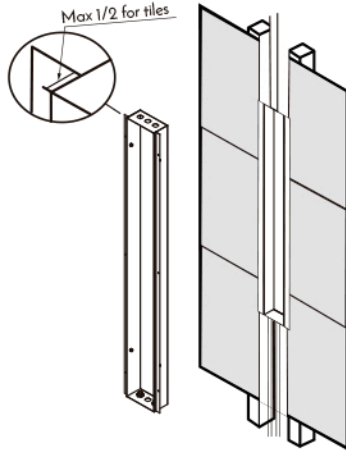
01



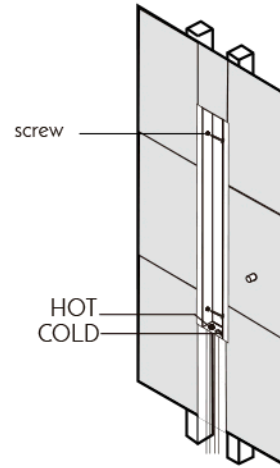
02



03

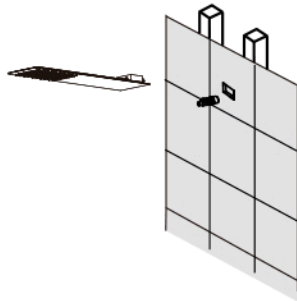


04





05



06

