

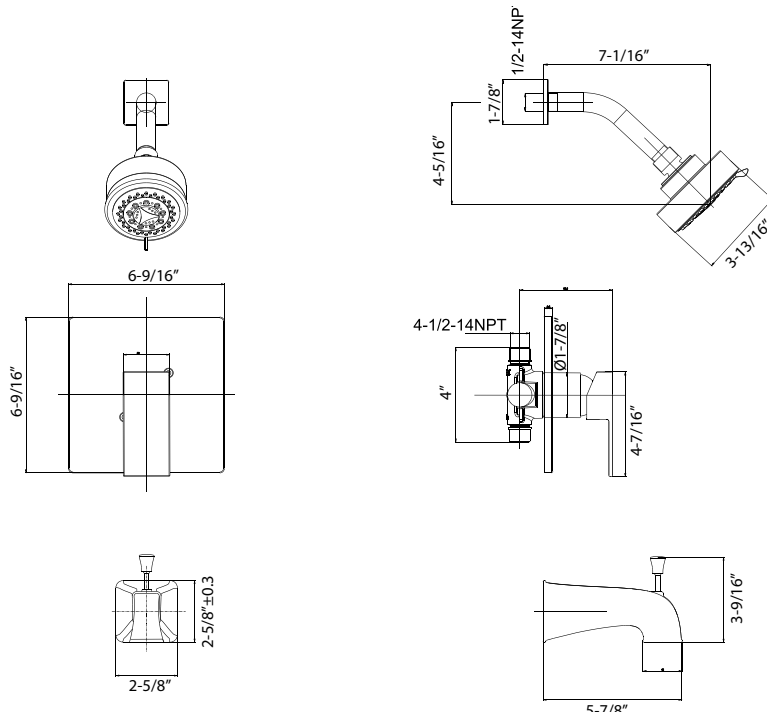


DAX-O304-BN



SHOWER SYSTEMS **SERIES**





FEATURES

- Two function valve
- Wall mount shower head
- Multi-function shower head
- Tub filler
- Ceramic cartridge
- Pressure balance valve
- Brass body

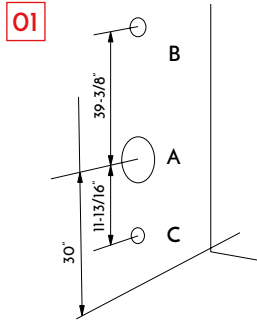
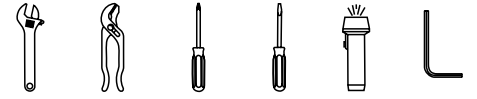




SHOWER SYSTEM DAX-0304-BN

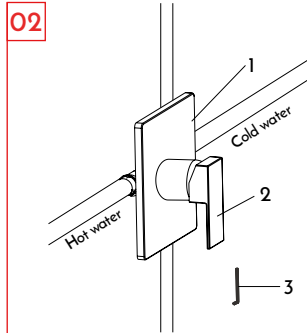
MODEL	DAX-0304-BN
ADA	NO
UPC APPROVED	NO
ANSI APPROVED	NO
ASME APPROVED	NO
HAND SHOWER FLOW RATE (GPM)	NO
HANDLE MATERIAL	Zinc alloy
HANDLE STYLE	Zinc alloy die casting
HAND SHOWER INCLUDED	NO
HAND SHOWER HOSE INCLUDED	NO
HAND SHOWER HOSE LENGTH	NO hose
INSTALLATION TYPE	Wall mount
MATERIAL	Brass
PRESSURE BALANCE	YES
SCALD GUARD	YES
SHOWER ARM REACH	7-1/16"
SHOWER ARM CONNECTION SIZE	1/2-14NPT
SHOWER HEAD	Plastic plated
SHOWER HEAD HEIGHT	1-1/8"
SHOWER HEAD SHAPE	Round
SHOWER HEAD WIDTH	Ø3-13/16"
SLIDE BAR INCLUDED	NO
SLIDE BAR DIMENSION	NO
SPRAY PATTERN	NO
THERMOSTATIC	NO
VALVE INCLUDED	YES
VALVE TYPE	Pressure balance
WATER EFFICIENT	NO
WATERSENSE CERTIFIED	NO
WALL ELBOW DIMENSION	1/2-14NPT
FINISH	Brushed nickel





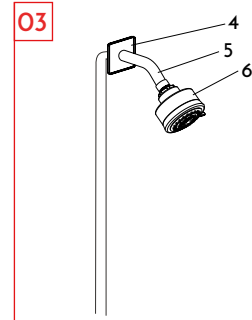
01

Drill three holes on wall a accordance with the drawing above.
A: Pressure balance valve location
B: Showerhead location
C: Tub-spout location



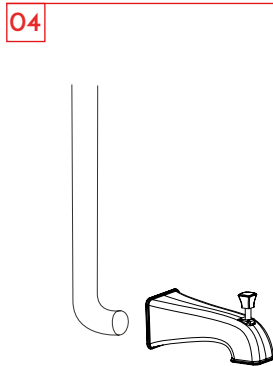
02

Fix the body assembly and water lines in the wall. Put the deck plate (1), and then put the handle (2) on the handle base and tighten the screw with allen key (3).



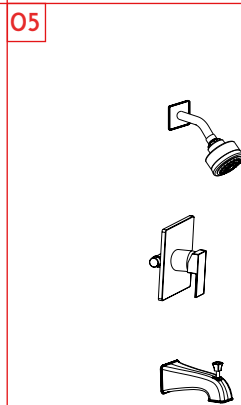
03

Connect the shower head (6) with the shower arm (5). Put the shower arm through the ornament cover (4) and connect the arm to the pre-installed water line.



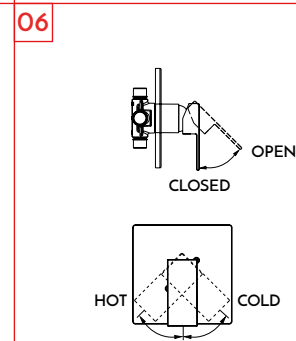
04

Connect the spout to the pre-installed water line.



05

Turn on the water to check is there any leakage.



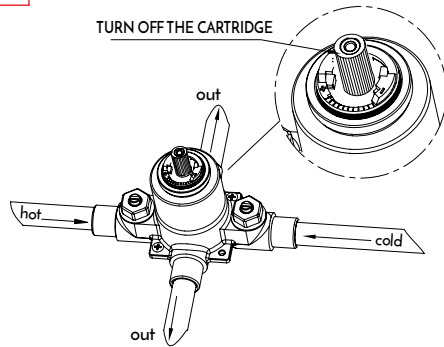
06

Pull the handle up to turn on the fauet, push down to horizontal line to close. Move the handle left to control the hot water, move the handle right to control the coldwater.



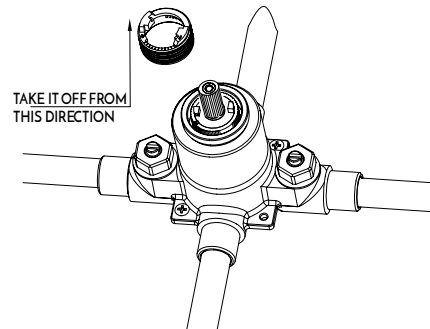
TO RESET WATER TEMPERATURE

01



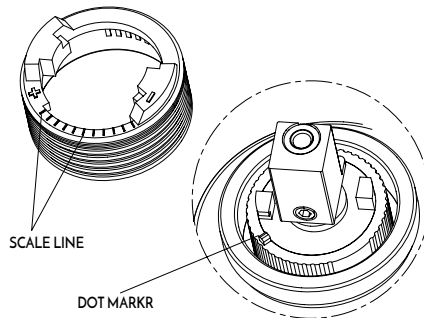
Make sure all inlets or outlet pipe were well connected, and the valve is closed.

02



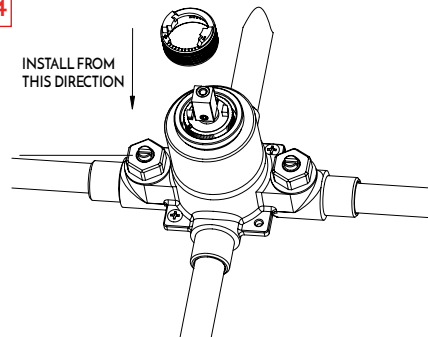
Then take off the temperature adjust component. Please notice there is no need to remove the valve body, but by using a tool (such as a "+" screwdriver) to pry up the temperature adjust component directly

03



After remove the temperature adjust component you can see there is eleven scale line on the temperature adjust component, and there is a dotmark on the cartridge.

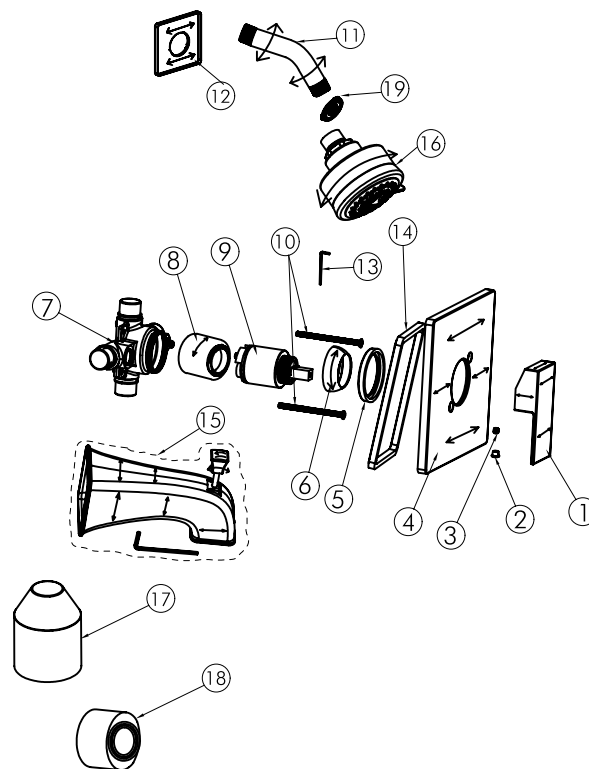
04



When the 1st scale line near the "+" sign be align with the dot mark on cartridge, the water temperature would be the highest. If the 2nd scale line near the "+" sign be align with the dot mark, the fixed highest temperature would be reduce accordingly. In turn, when the 1st scale line near to "-" sign align with the dot mark, the lowest temperature is set. By using the temperature adjust component, you can limit the highest temperature of the pressure balance valve.



DIAGRAM NUMBER	DAX SKU	TITLE DESCRIPTION
1	40HD60038CPSYFAMI14	Handle
2	40UF70002NC	Handle cap
3	40LD90001NT	M5 screw
4	40UR50135CP	Cover
5	40RH80315NT	Rubber washer
6	40FB50001CP	Cap
7	210B10074NT	Valve
8	40MV40014CP	Sleeve
9	40KB70010NT	Cartridge
10	40LC90034CP	Screw
11	40CW40002CP	Tube
12	40UF90006CP	Decorative cover
13	40PF90007NC	2,5 Allen key
14	40DP80184NT	Washer
15	210G10041CP	Head spout
16	201R30047CP	Shower
17	40MR70199NT	Plastic protector
18	40ZA00029NT	Pipe tape
19	40XA70014NT	Restrictor



For parts or sale requirements please contact our customer service department:

 CS@daxib.com

 1 888 685 8236